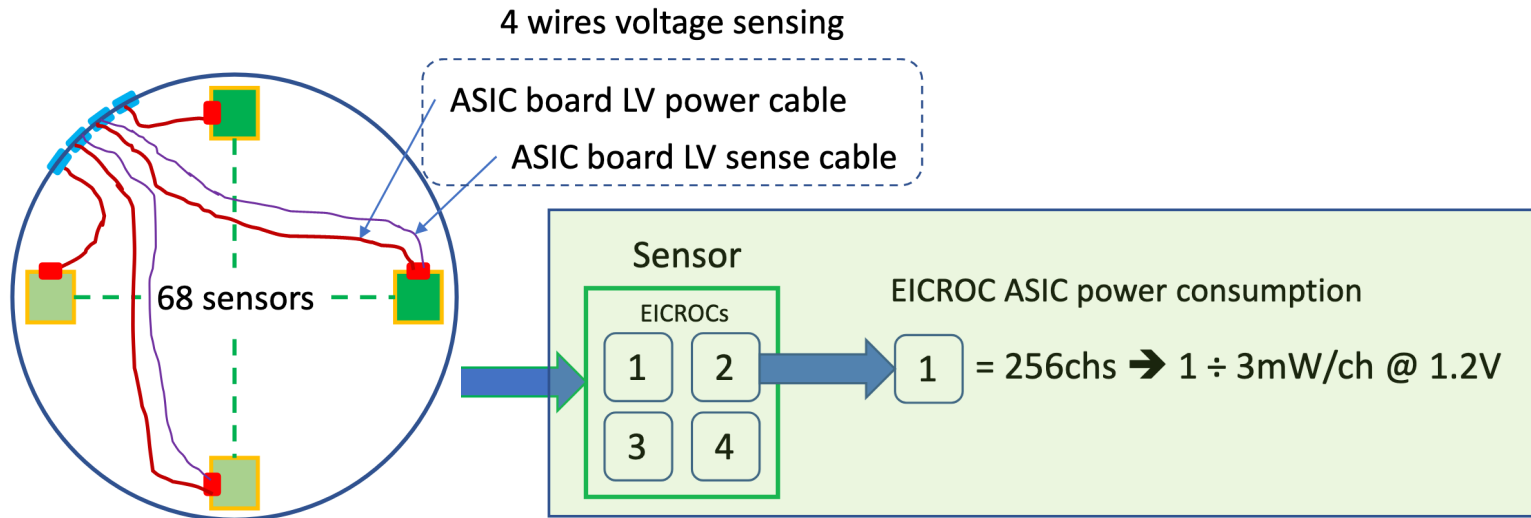


LV system



Wiener LV mainframe and modules

- Each Sensor
 - 4EICROCs x 256chs = 1024chs/sensor \rightarrow @3mW/ch \rightarrow ~3W/se
- Whole detector
 - 68sensors x 2.5A \rightarrow 170A@1.2V \rightarrow 204W
 - Add 20% extra current for the ancillary electronic components
 - 170A + 20% = 204A@1.2V \rightarrow 245W
 - Add 20% extra current for safety margin
 - 204A + 20% = **245A@1.2V** \rightarrow **294W**

