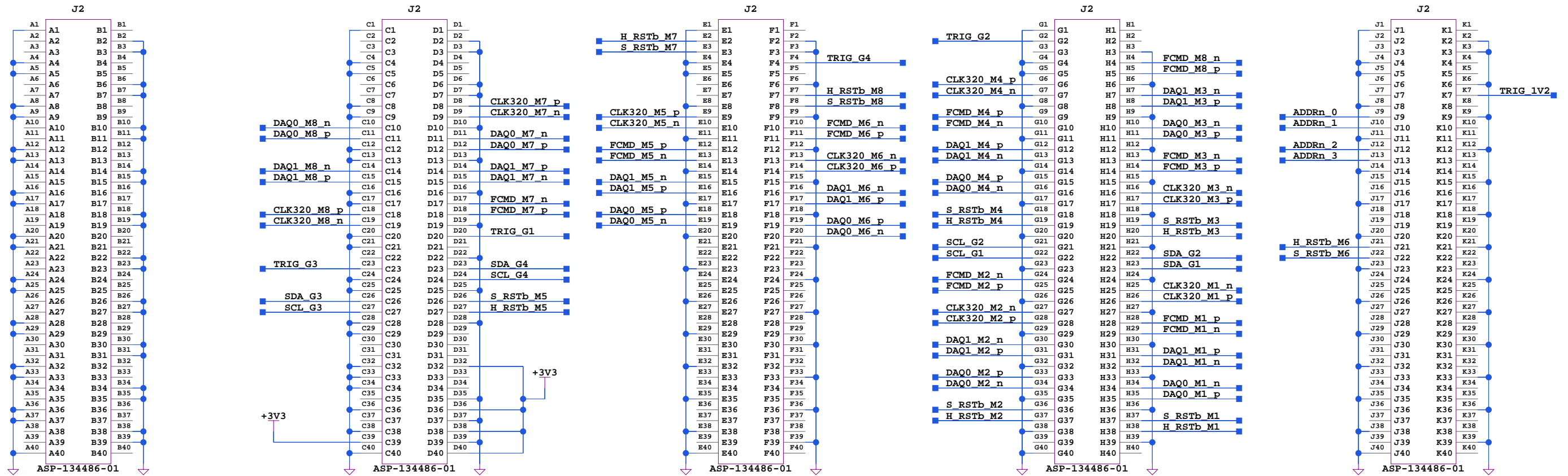
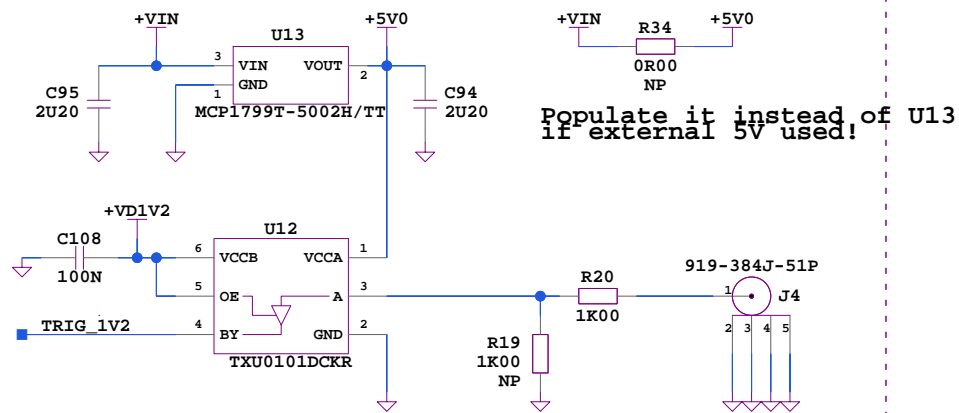


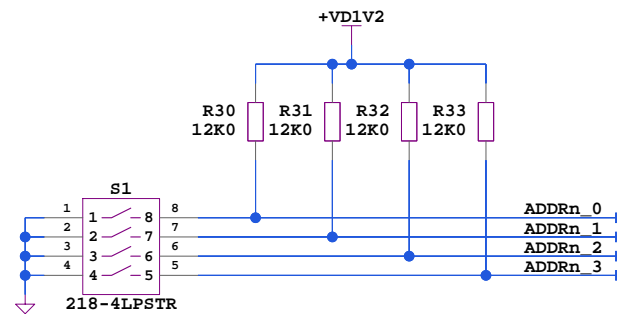
HPC connector to KCU105 board



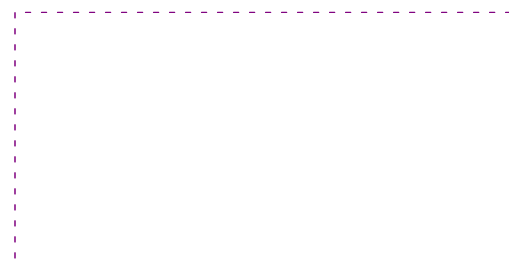
External trigger input



IP address select



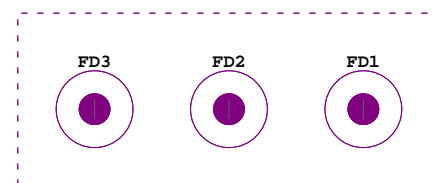
Mounting holes



Bottom fiducial points



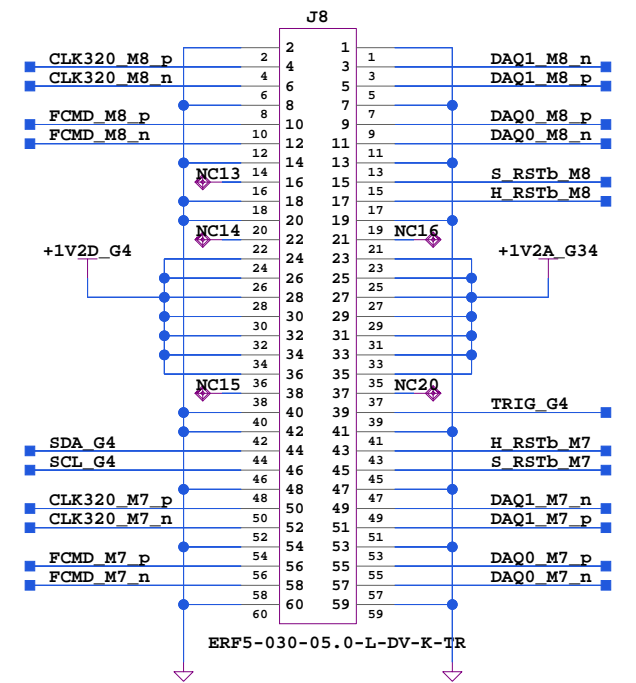
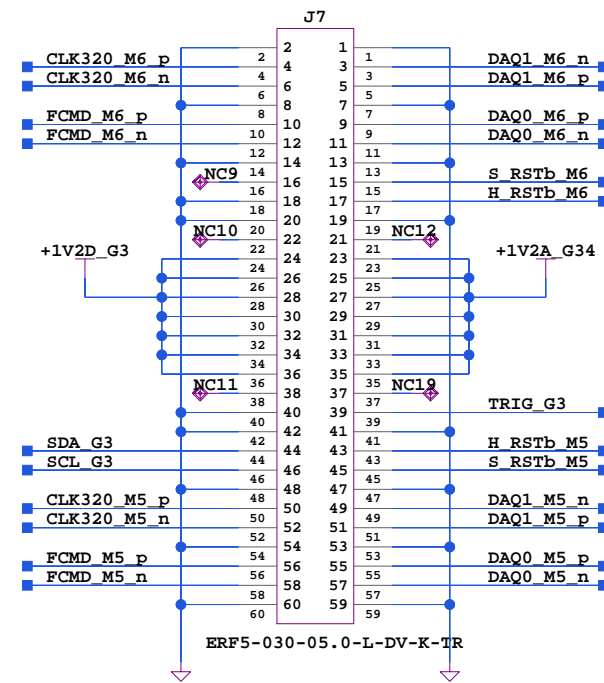
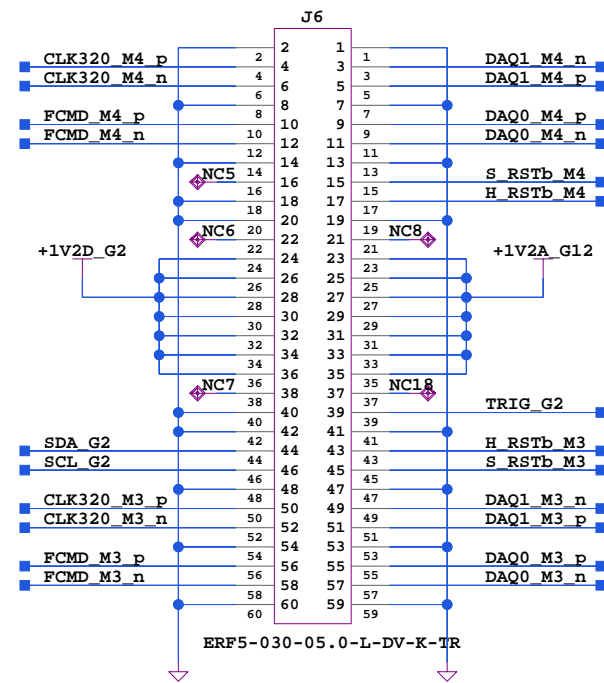
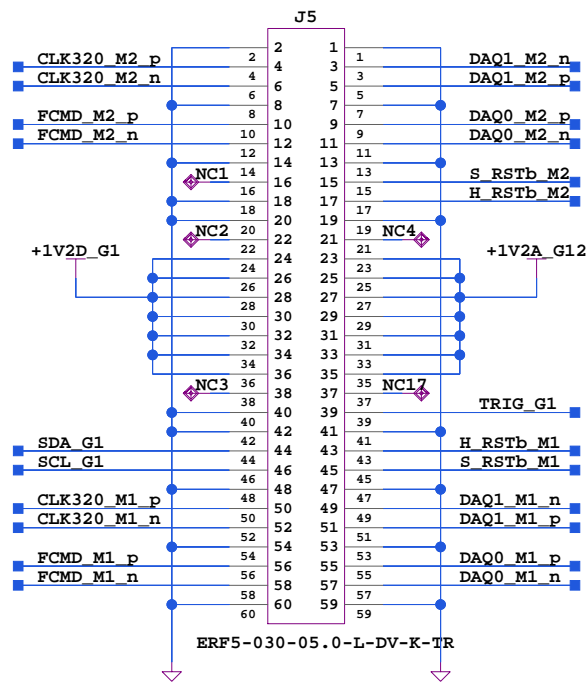
Top fiducial points



CERN

HRPPD-FMC-Board.V0

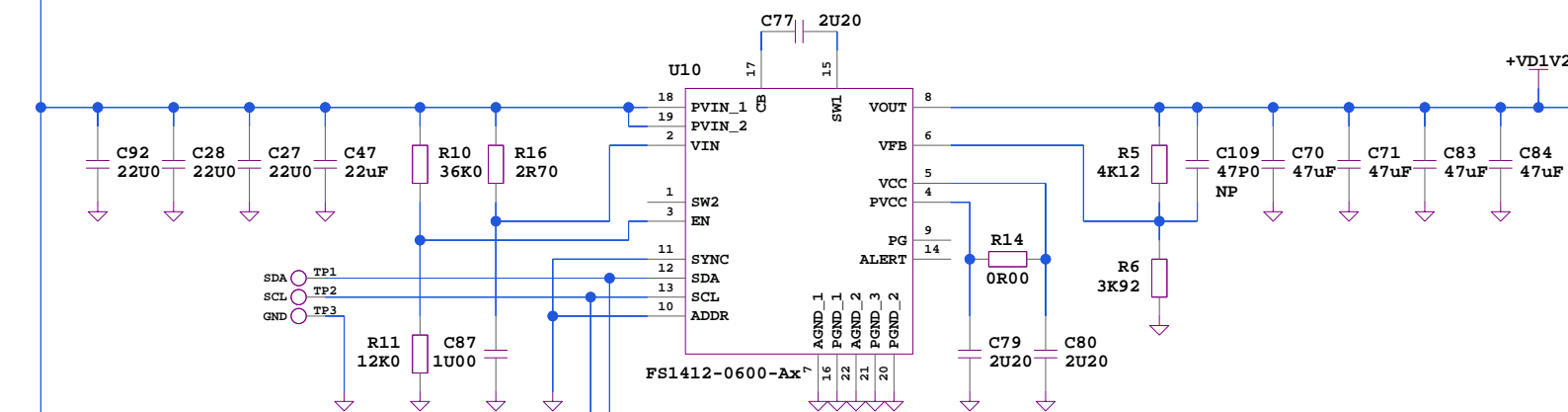
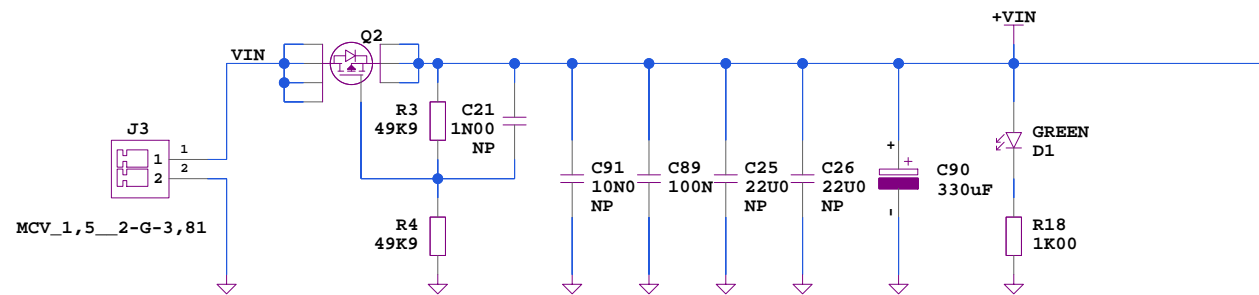
4 connector to ASIC board (4x ERF5-030)



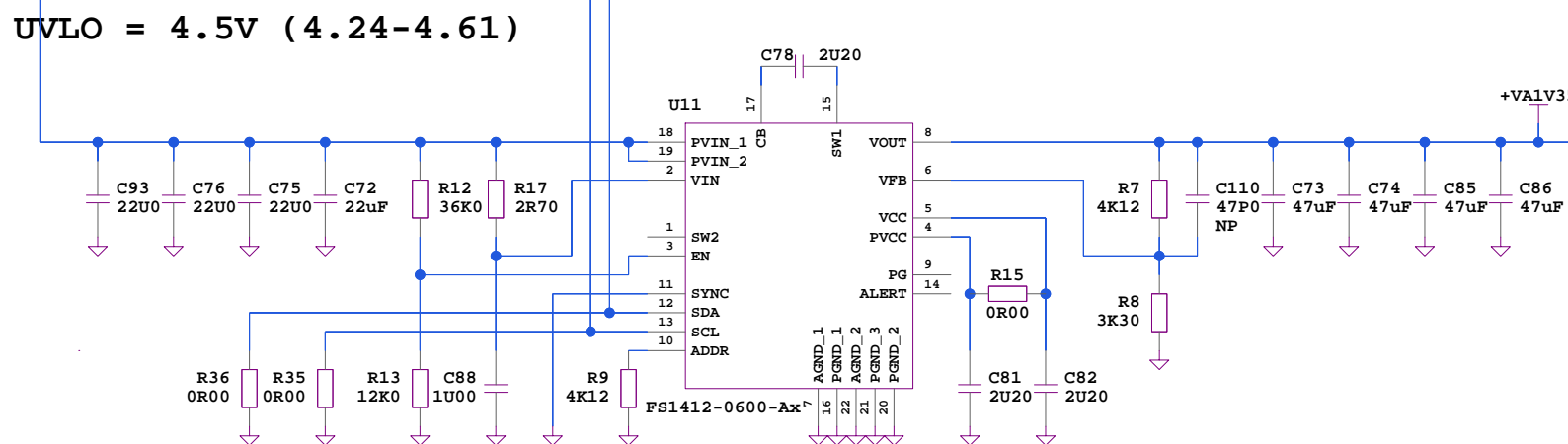
CERN

HRPPD-FMC-Board.V0

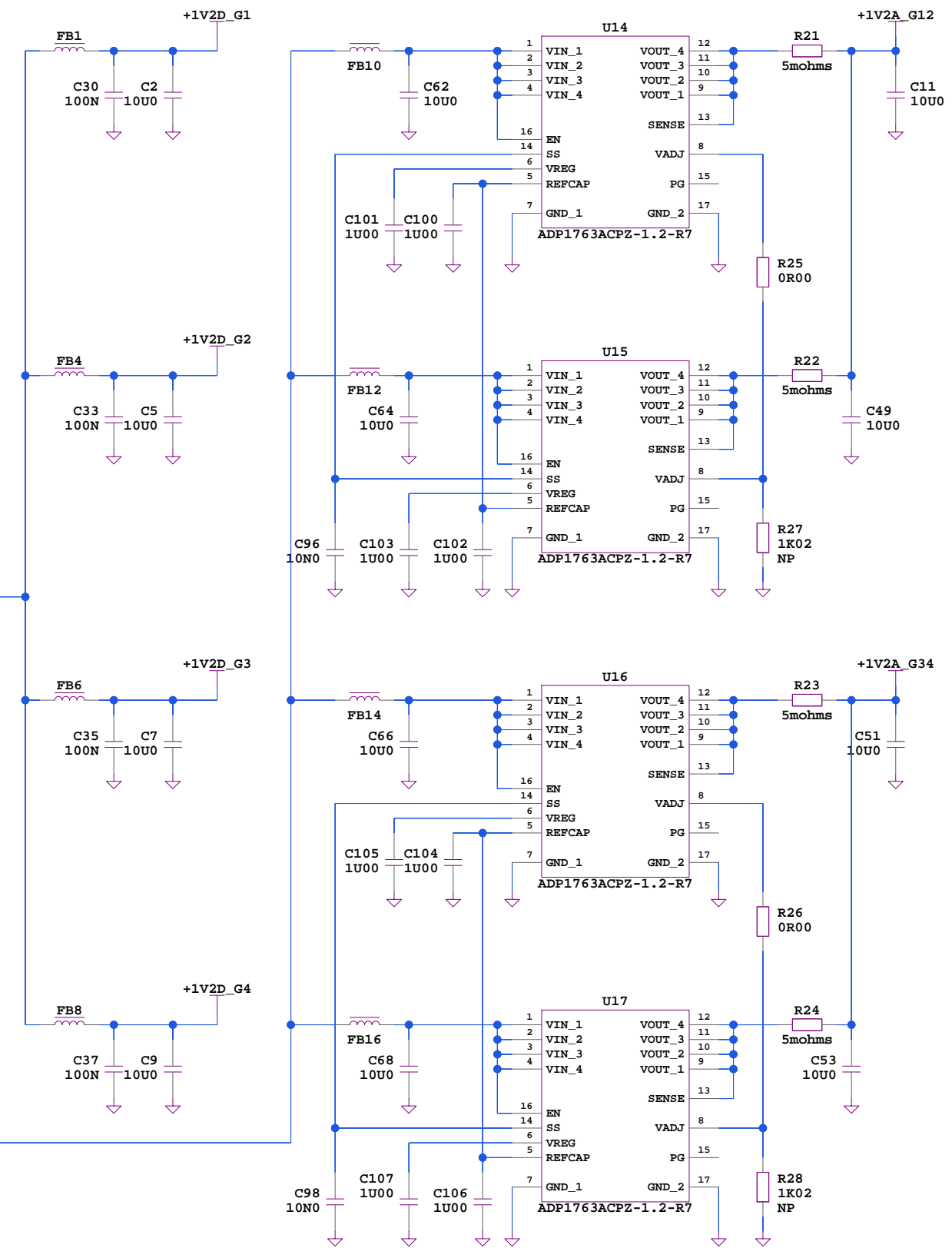
(Vin = 4.5V-8V)



I2C address is 0x08



I2C address is 0x12 (0x08+5*2)



CERN

HRPPD-FMC-Board.V0

SIZE	DWG NO	REV
A3	Power supplies	1.0
DRAWN BY	SHEET	
hunagabo@gmail.com	3 of 3	11/11/2023:16:28