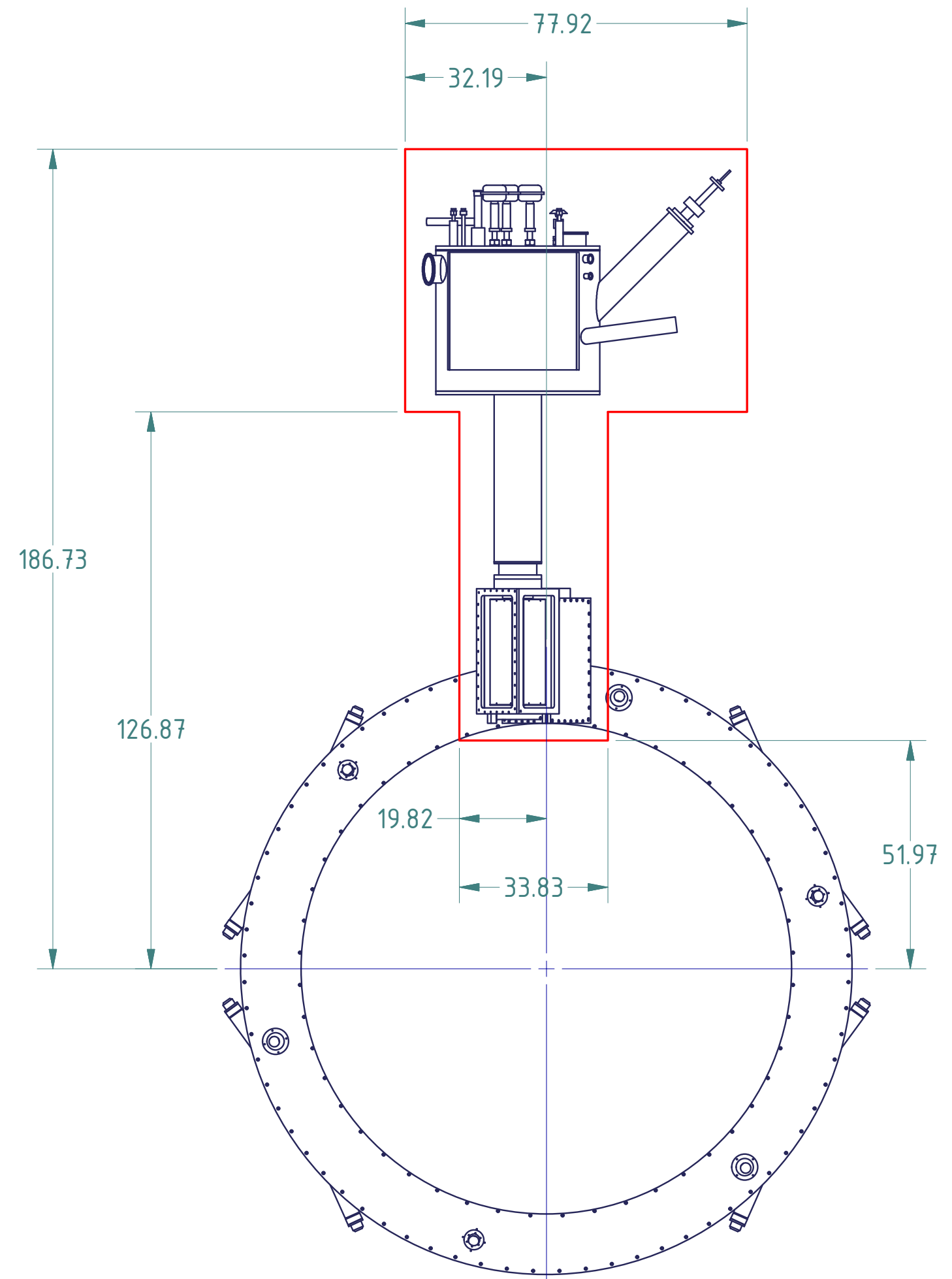
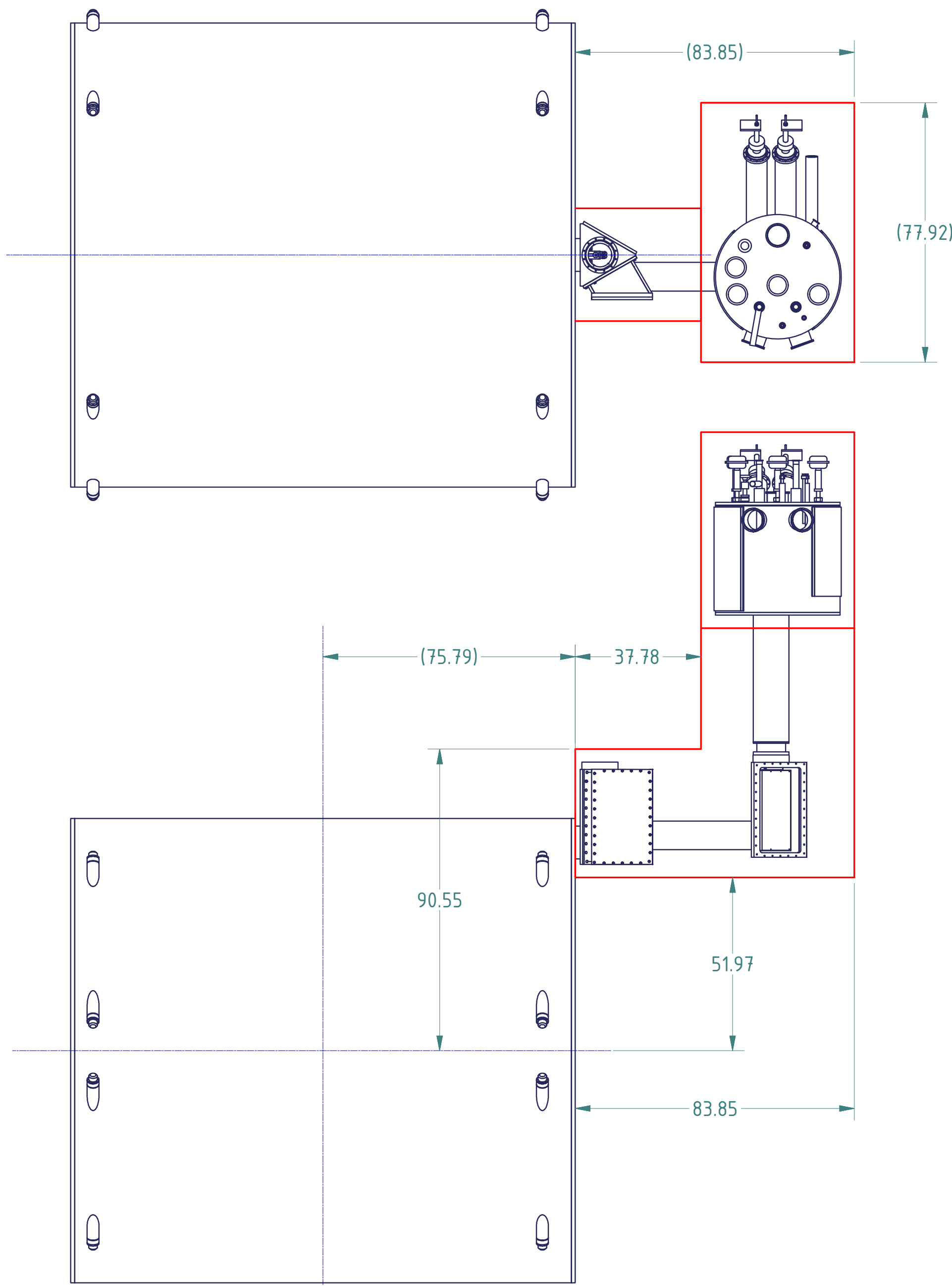


REVISION HISTORY				
REV	ZONE	DESCRIPTION	DATE	APPROVED
A		INITIAL RELEASE	10/08/2014	



THIRD ANGLE PROJECTION <small>INTERPRET IN GENERAL ACCORDANCE WITH ASME Y14.5M-1994. UNLESS OTHERWISE SPECIFIED, ALL DIMENSIONS ARE IN MILLIMETERS. DECIMAL TOLERANCES: .XX ±, .XXX ±, .XXXX ±, ANGLES ±</small>		DRAWN BY: RUGGIERO 7/24/2014 CHECKED BY: LYNCH 7/24/2014 ENGINEER APPROVAL: LYNCH 7/24/2014 D.A. APPROVAL: LYNCH 7/24/2014 SAFETY ENGINEER: 7/24/2014	PROJECT: PHENIX SYSTEM: sPhenix MODEL/DRAWING NAME: BaBar Magnet Stack Envelope SIZE: C DRAWING NUMBER: SP00-000-006 G.A. CATEGORY: A3 SCALE: WEIGHT: SHEET 1 OF 1

REV	SHEET

BROOKHAVEN NATIONAL LABORATORY Upton, NY 11973	
PROJECT: PHENIX SYSTEM: sPhenix MODEL/DRAWING NAME: BaBar Magnet Stack Envelope SIZE: C DRAWING NUMBER: SP00-000-006 G.A. CATEGORY: A3 SCALE: WEIGHT: SHEET 1 OF 1	