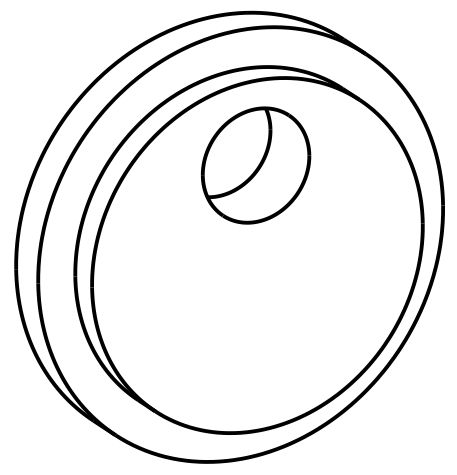
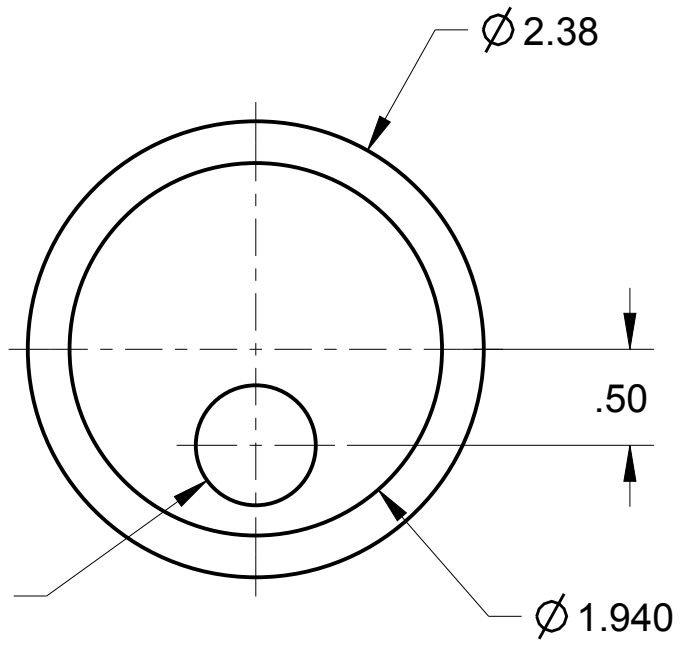


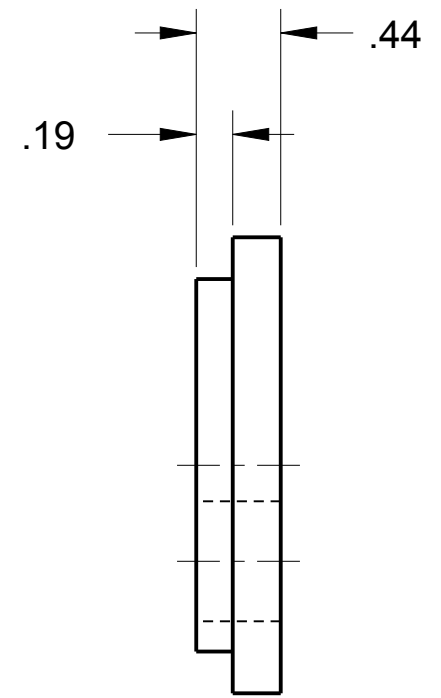
ITEM NO.	QTY	DESCRIPTION	MATERIAL, DWG.NO. OR PART NO.	REV
----------	-----	-------------	-------------------------------	-----



SCALE 1/1



SCALE 1/1



REV	DESCRIPTION	BY	DATE	CKR	APP
A	INITIAL DWG RELEASE	PEK	8-3-14		

INTERPRET IN GENERAL ACCORDANCE WITH ASME Y14.24  
UNLESS OTHERWISE SPECIFIED

DIMENSIONS ARE IN INCHES  
DECIMAL TOLERANCES  
.X± .06  
.XX± .02  
.XXX± .005  
ANGULAR TOLERANCE ± 1°

FINISH

BREAK SHARP EDGES  
MAX. MIN.

SUPERCONDUCTING MAGNET DIVISION		
DRAWN BY	P KOVACH	8-3-2014
CHECKED BY	P KOVACH	8-3-2014
ENGINEER APPROVAL	MDA	8-4-2014
SUPERVISOR APPROVAL	MDA	8-4-2014
SAFETY APPROVAL		

BROOKHAVEN NATIONAL LABORATORY BROOKHAVEN SCIENCE ASSOCIATES UPTON, N.Y. 11973		
TITLE: BABAR MAGNET HEAT SHIELD SHIPPING RESTRAINT RESTRAINING PAD		
SIZE <b>B</b>	DRAWING NUMBER: 25- 2043014	REV. A
MATERIAL: AL ALLOY	SCALE: NOTED	WEIGHT:
SHEET 1 OF 1		