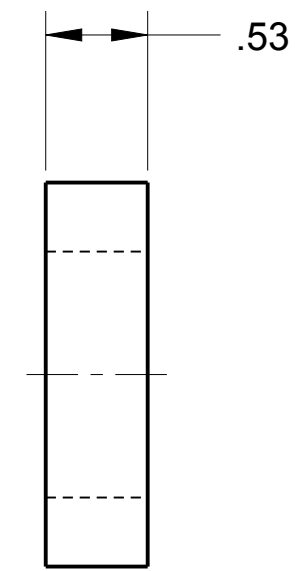
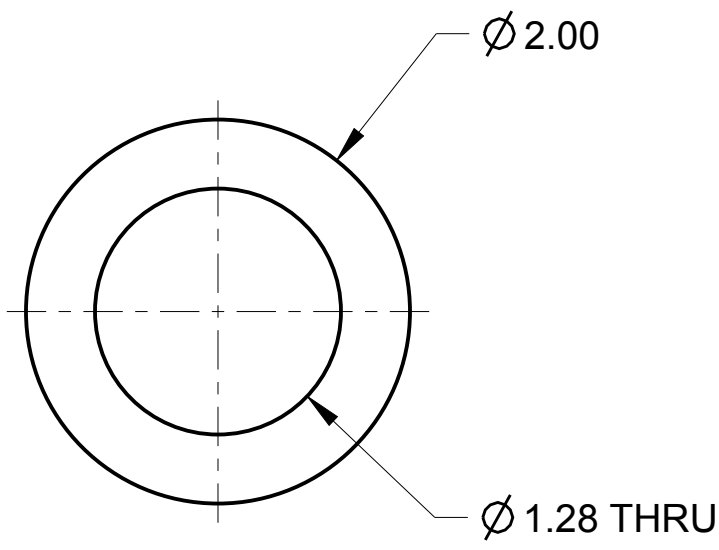
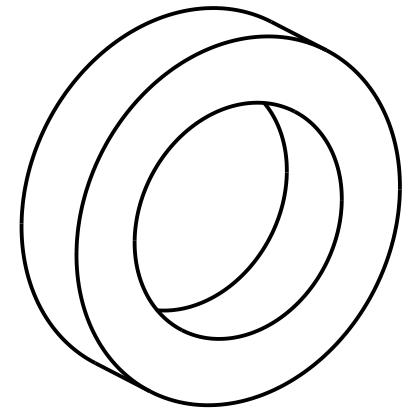


ITEM NO.	QTY	DESCRIPTION	MATERIAL, DWG.NO. OR PART NO.	REV
----------	-----	-------------	-------------------------------	-----



SCALE 1/1

INTERPRET IN GENERAL ACCORDANCE WITH ASME Y14.24 UNLESS OTHERWISE SPECIFIED	SUPERCONDUCTING MAGNET DIVISION		BROOKHAVEN NATIONAL LABORATORY BROOKHAVEN SCIENCE ASSOCIATES UPTON, N.Y. 11973	
	DIMENSIONS ARE IN INCHES DECIMAL TOLERANCES .X± .06 .XX± .02 .XXX± .005 ANGULAR TOLERANCE ± 1°	DRAWN BY P KOVACH 8-3-2014	CHECKED BY P KOVACH 8-3-2014	TITLE: BABAR MAGNET HEAT SHIELD SHIPPING RESTRAINT SPACER
<input checked="" type="checkbox"/> FINISH <input type="checkbox"/> BREAK SHARP EDGES MAX. MIN.	ENGINEER APPROVAL MDA 8-4-2014	SUPERVISOR APPROVAL MDA 8-4-2014	SIZE B	
	MATERIAL: AL ALLOY	SCALE: NOTED	WEIGHT:	SHEET 1 OF 1

REV	DESCRIPTION	BY	DATE	CKR	APP
A	INITIAL DWG RELEASE	PEK	8-3-14		

4

3

2

1

B

B

A

A

4

3

2

1