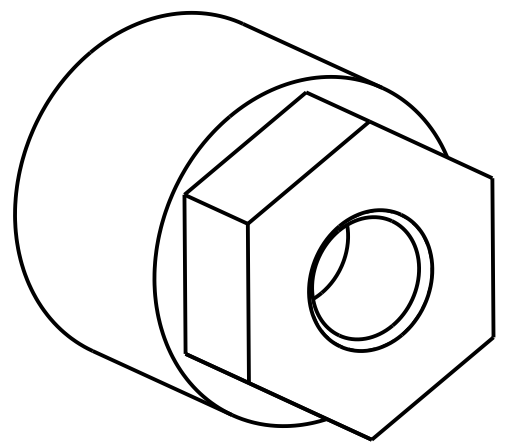
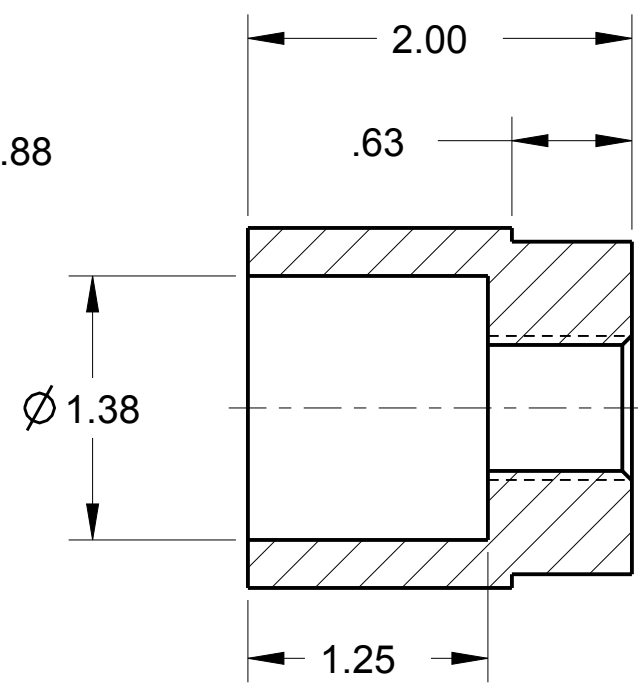
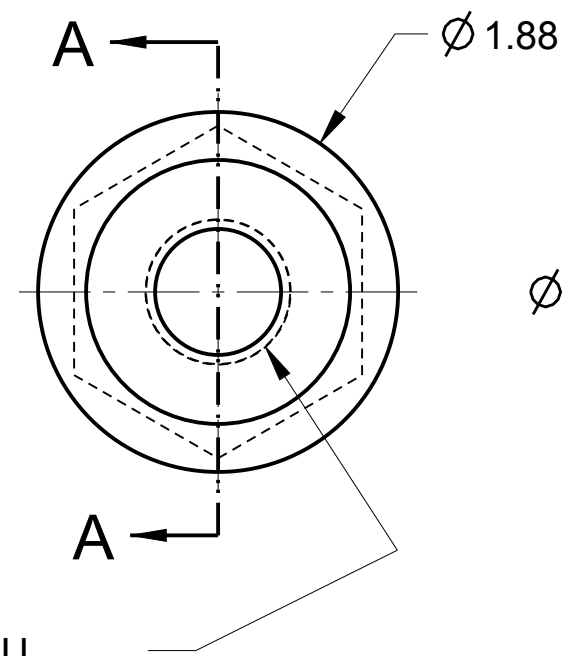


ITEM NO.	QTY	DESCRIPTION	MATERIAL, DWG.NO. OR PART NO.	REV
----------	-----	-------------	-------------------------------	-----



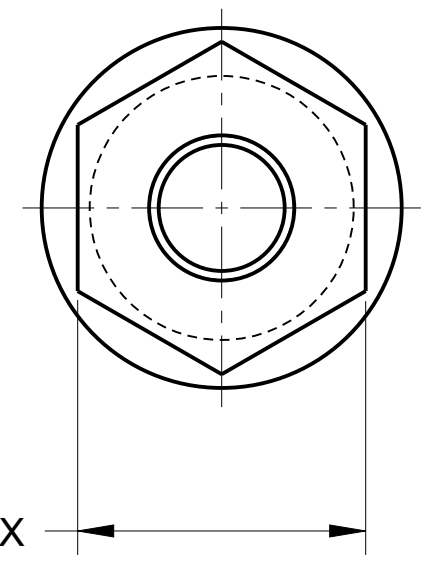
SCALE 1/1

3/4-10 UNC - 2B TAP THRU
21/32 DRILL (0.656) THRU -(1) HOLE



SECTION A-A
SCALE 1/1

1.500 ^{+0.000} _{-.005} HEX



REV	DESCRIPTION	BY	DATE	CKR	APP
A	INITIAL DWG RELEASE	PEK	4-18-14		

INTERPRET IN GENERAL ACCORDANCE WITH ASME Y14.24 UNLESS OTHERWISE SPECIFIED DIMENSIONS ARE IN INCHES DECIMAL TOLERANCES .X± .06 .XX± .02 .XXX± .005 ANGULAR TOLERANCE ± 1°	SUPERCONDUCTING MAGNET DIVISION		BROOKHAVEN NATIONAL LABORATORY BROOKHAVEN SCIENCE ASSOCIATES UPTON, N.Y. 11973		
	DRAWN BY: P KOVACH CHECKED BY: P KOVACH ENGINEER APPROVAL: MDA SUPERVISOR APPROVAL: MDA SAFETY APPROVAL: W CZEKAJ	4-18-2014 4-18-2014 5-14-2014 5-14-2014 6/17/2014	TITLE: BABAR MAGNET HEAT SHIELD SHIPPING RESTRAINT LOCK NUT		
<input checked="" type="checkbox"/> FINISH <input type="checkbox"/> BREAK SHARP EDGES	MAX. MIN.	SIZE: B	DRAWING NUMBER: 25- 2043009	REV.: A	MATERIAL: HRS
		SCALE: NOTED	WEIGHT:	SHEET 1 OF 1	