

4

3

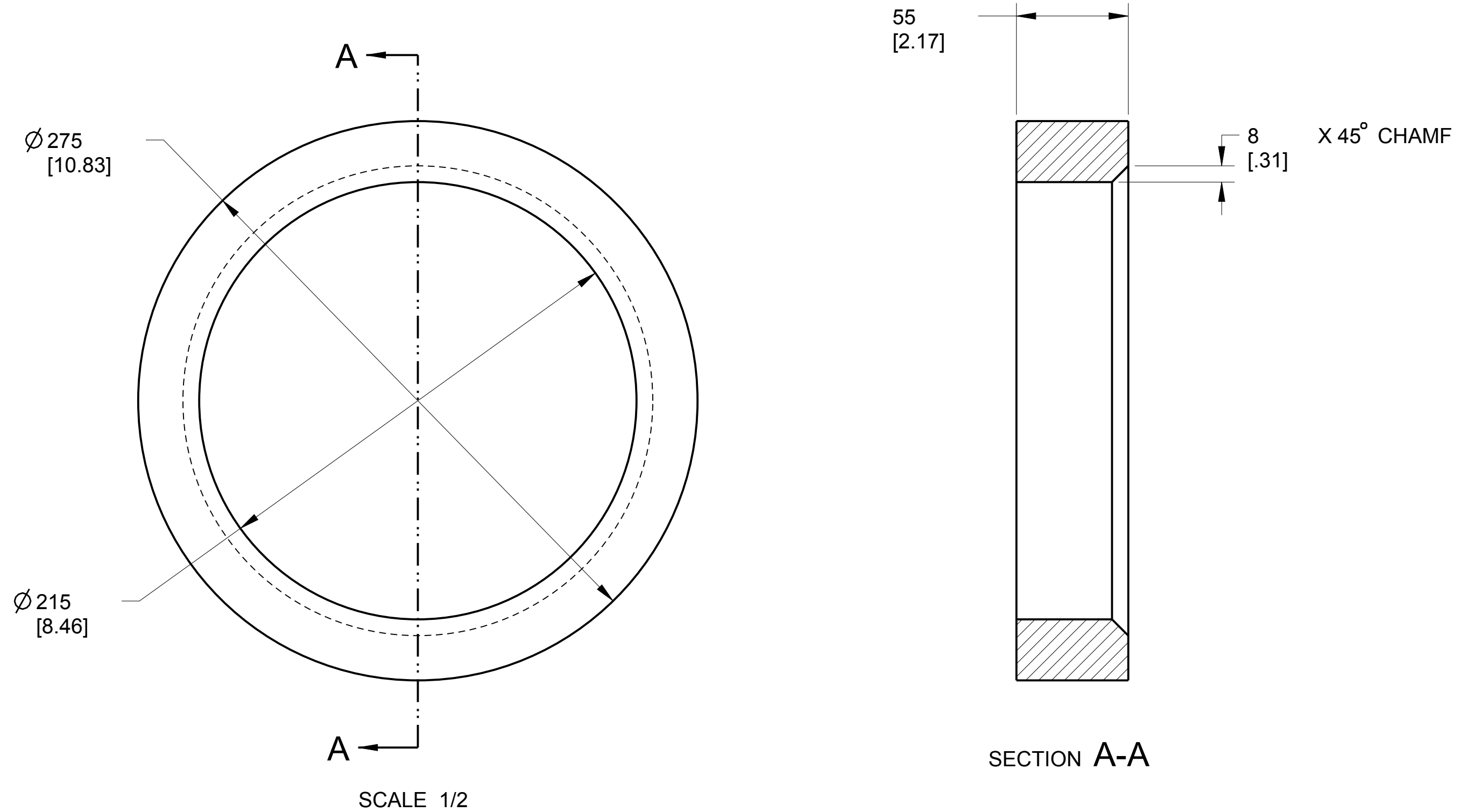
2

1

NOTES:

1. MATERIAL: 6061-T6 ALUMINUM ALLOY

REVISIONS							
REV	ZONE	ECN NO.	DESCRIPTION	BY	DATE	CKR	APP
A	-	-	INITIAL RELEASE	PEK	12/29/2015	-	-



SCALE 1/2

SECTION A-A

OUTSTANDING ECN NUMBERS	INTERPRET IN ACCORDANCE WITH ASME Y14.24						SUPERCONDUCTING MAGNET DIVISION			BROOKHAVEN NATIONAL LABORATORY				
	UNLESS OTHERWISE SPECIFIED									BROOKHAVEN SCIENCE ASSOCIATES UPTON, N.Y. 11973				
	DIMENSIONS ARE IN MILLIMETERS DIMENSIONS IN [ ] ARE INCHES			ANGULAR TOLERANCE ± °			DRAWN BY	P KOVACH	3/17/2015	TITLE: BABAR MAGNET VALVE BOX EXTENSION ADAPTOR FLANGE				
							DESIGN APPROVAL	P. KOVACH						
							CHECKED BY	R. RITTER						
							ENGINEER APPROVAL	M ANERELLA	1/21/2016					
							SUPERVISOR APPROVAL	M ANERELLA	1/21/2016					
							SAFETY APPROVAL	M CHUC	2/10/2016					
							Q.A. APPROVAL							
										SIZE	DRAWING NUMBER:	REV.		
										C	46010214	A		
										Q.A. CATEGORY:	SCALE:	NOTED	WEIGHT: 7.6 LBS	SHEET 1 OF 1

4

3

2

1

D

D

C

C

B

B

A

A