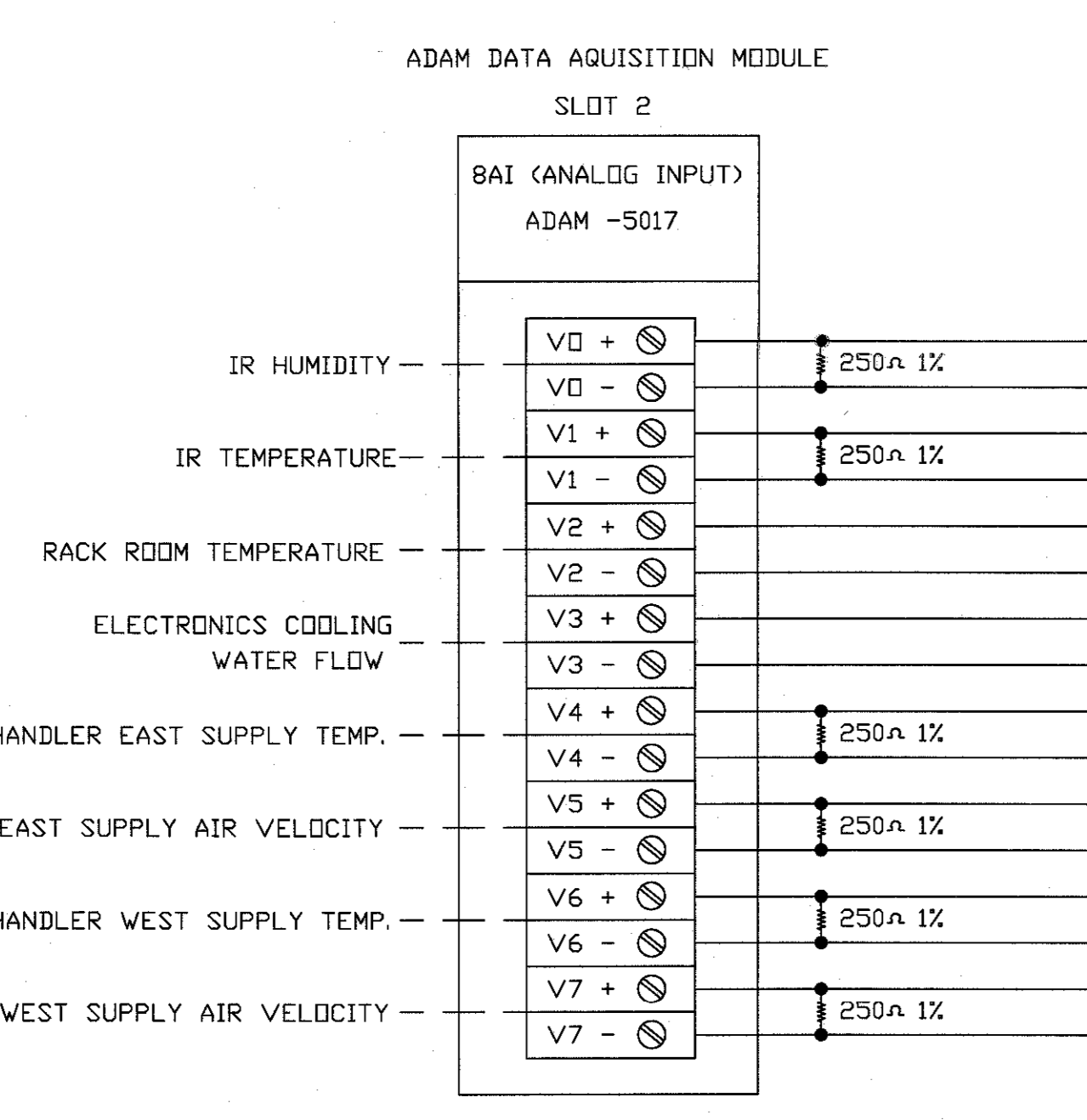
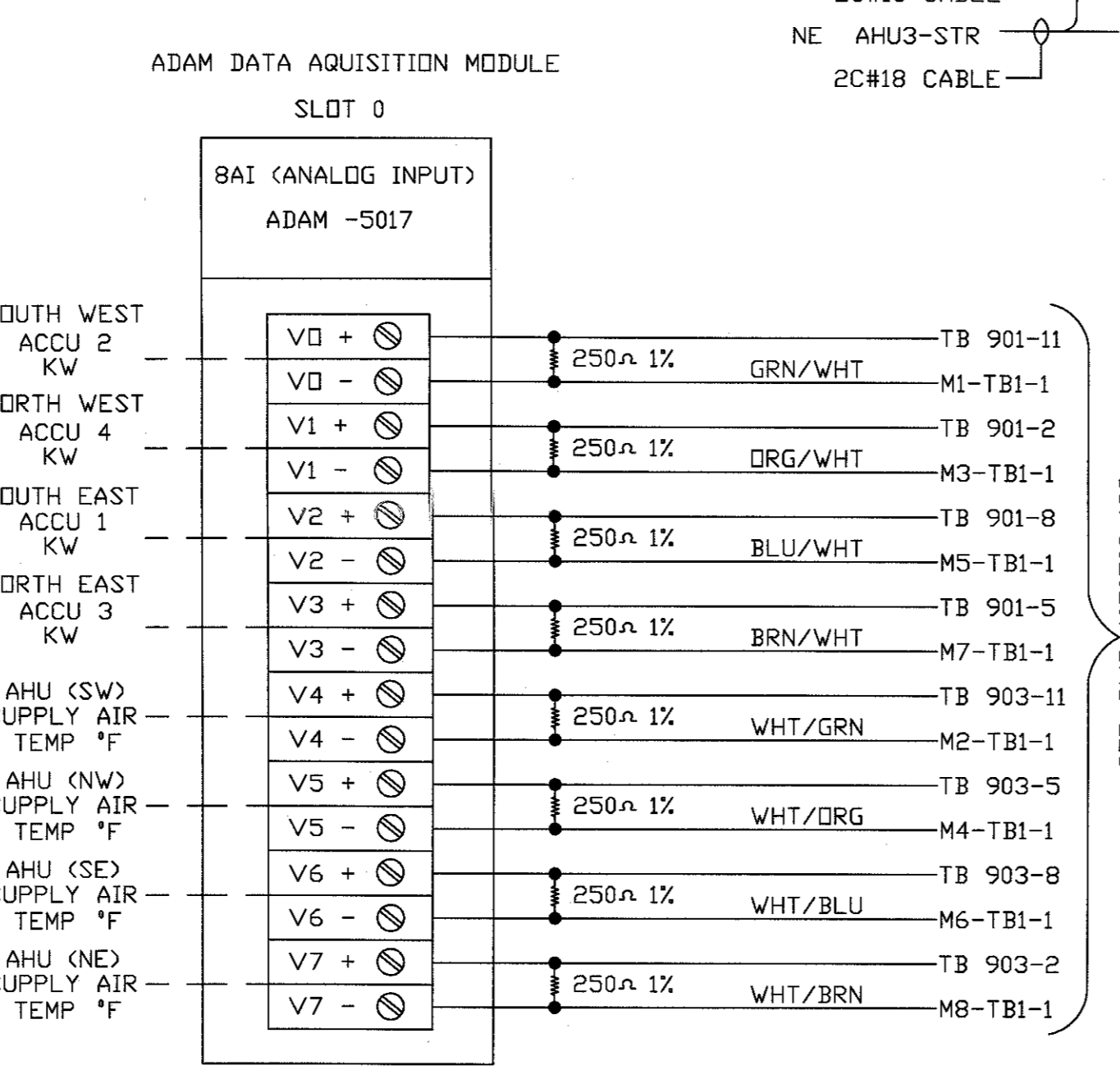
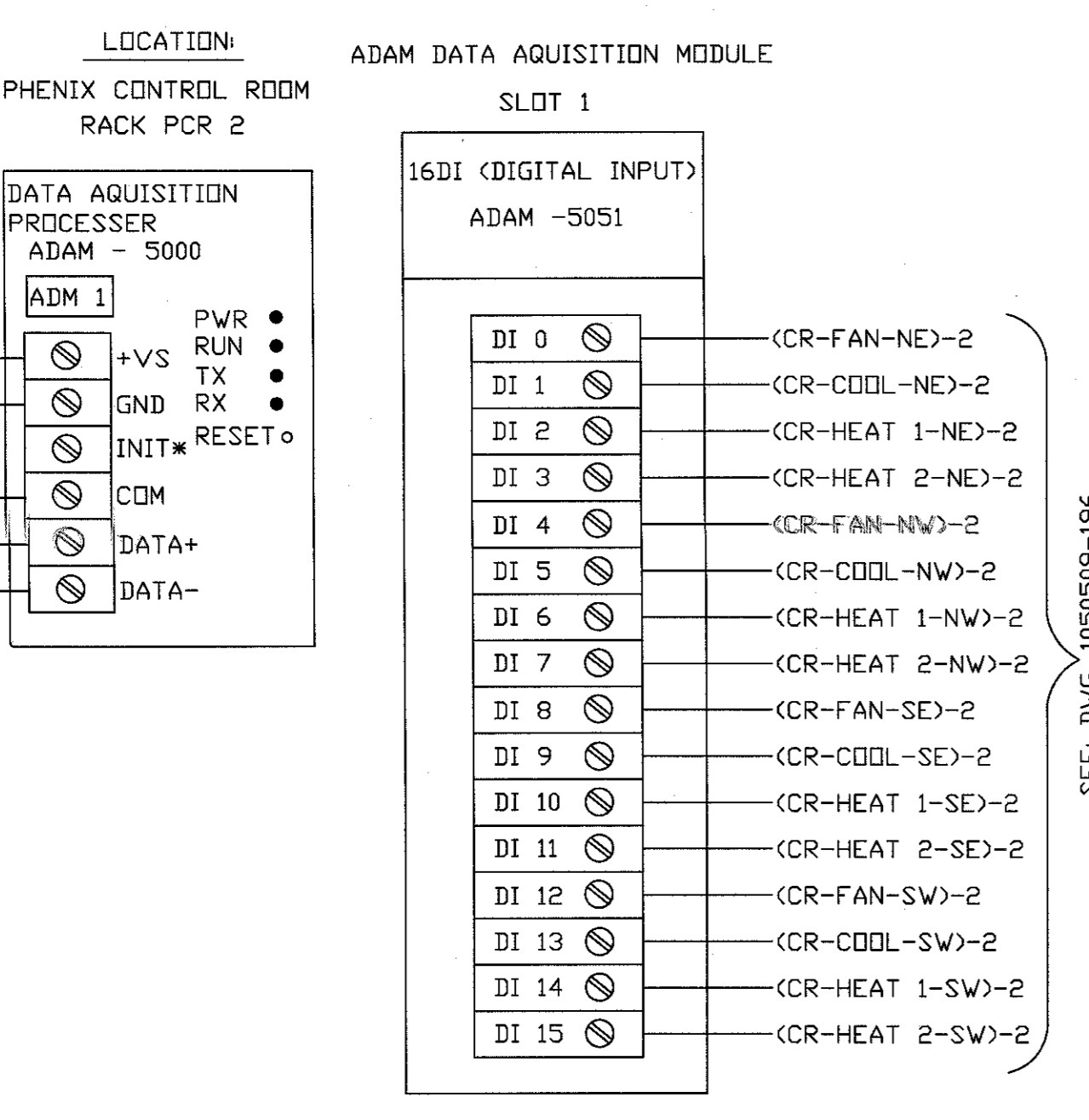
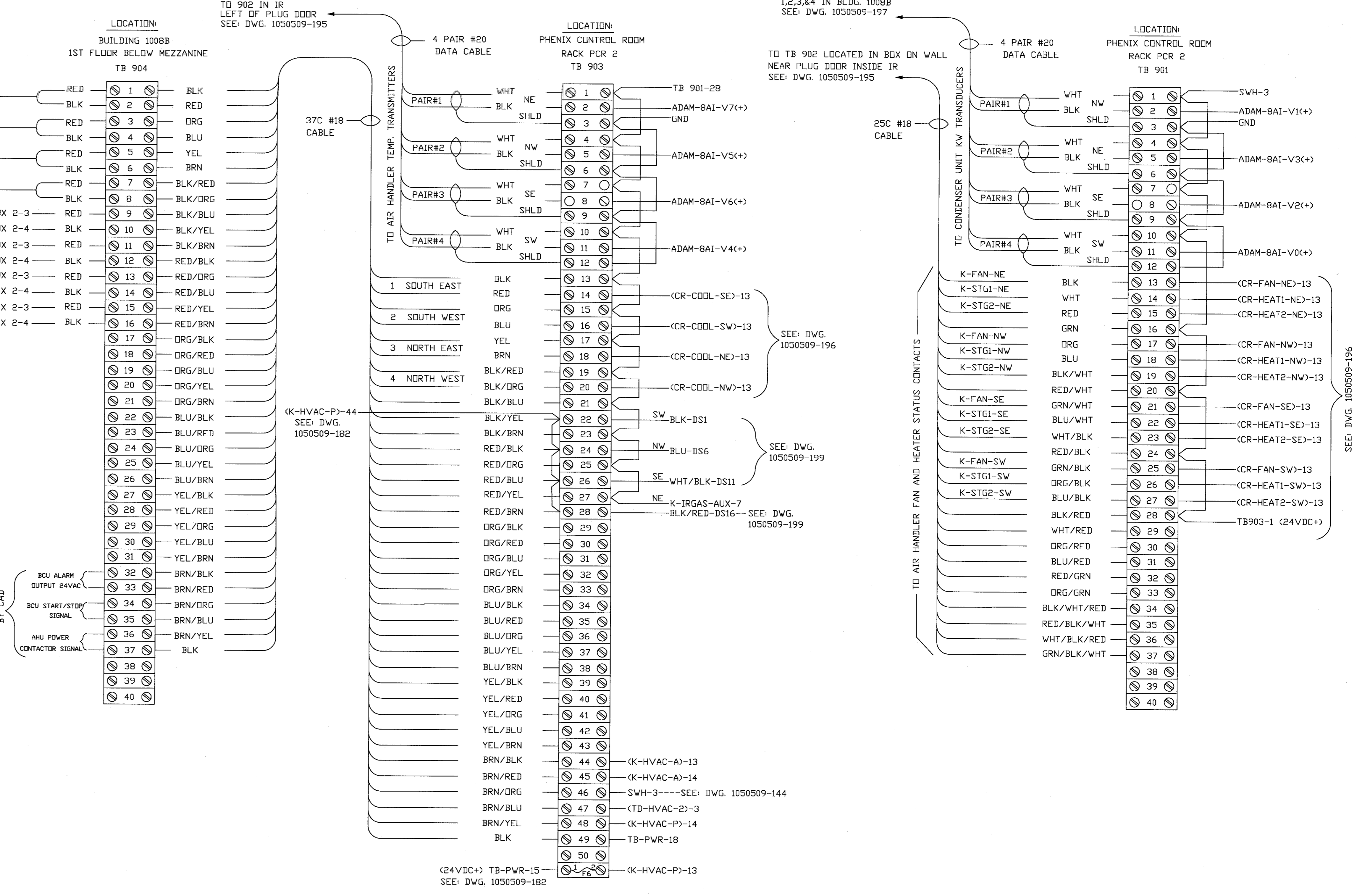
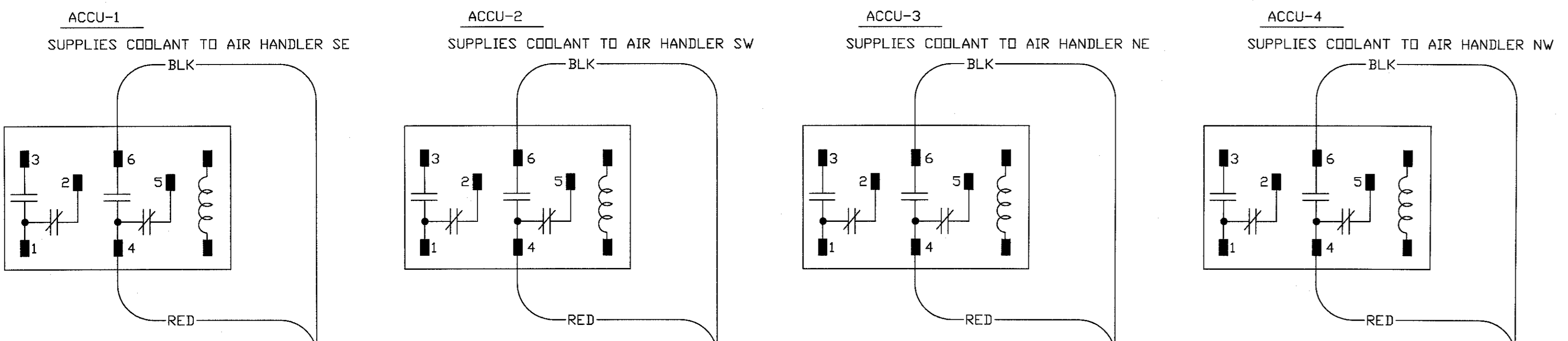


REVISION APPROVALS		DATE	BY	CHK	DES	ENG	SUPV
A	INITIAL RELEASE						
B	CAD1078 REVISED PER ECN	7/06	LT	PG		PG	
C	CAD1279 REVISED PER ECN	5/07	LT	PG		PG	
D	CAD2142 REVISED PER ECN	6/11	LT				

NOTES:  
 THESE RELAYS ARE ENERGIZED WHEN THE CONDENSER STARTER CONTACTOR IS ENERGIZED BY THE HVAC CONTROL SYSTEM  
 THE CONDENSERS ARE MOUNTED ON THE BLDG. 100B IR ROOF

AIR CONDITIONING CONDENSER UNIT CRANKCASE HEATER CONTROL RELAYS (CCH)



INTERPRET IN GENERAL ACCORDANCE WITH ANSI/ASME Y14.5M-1994				COLLIDER-ACCELERATOR DEPARTMENT BROOKHAVEN NATIONAL LABORATORY UPTON, N.Y. 10973	
UNLESS OTHERWISE SPECIFIED	DIMENSIONS ARE IN INCHES DECIMAL TOLERANCES .125 ± .005 .062 ± .005 .031 ± .005 ANGULAR TOLERANCE ± 1°	DRAWN BY: P. GIANNOTTI CHECKED BY: J. ALDUINO APPROVAL: P. GIANNOTTI DATE: 8/13/04	RSM: J. HAGGERTY DATE: 9/14/04	TITLE: PHENIX IR HVAC INDICATION & CONTROL WIRING DIAGRAM SIZE: 1050509-194 REV: D	
USED ON DRAWING NO. QTY. PER ASSY.	125	BROOK SHARP EDGES MAX. 0.3 MIN. 0.15		Q.A. CATEGORY: A-2 SCALE: 1/1 WEIGHT: SHEET 1 OF 1	

DWG. NO. 1050509-194 SHEET 1 OF 1

AutoCAD