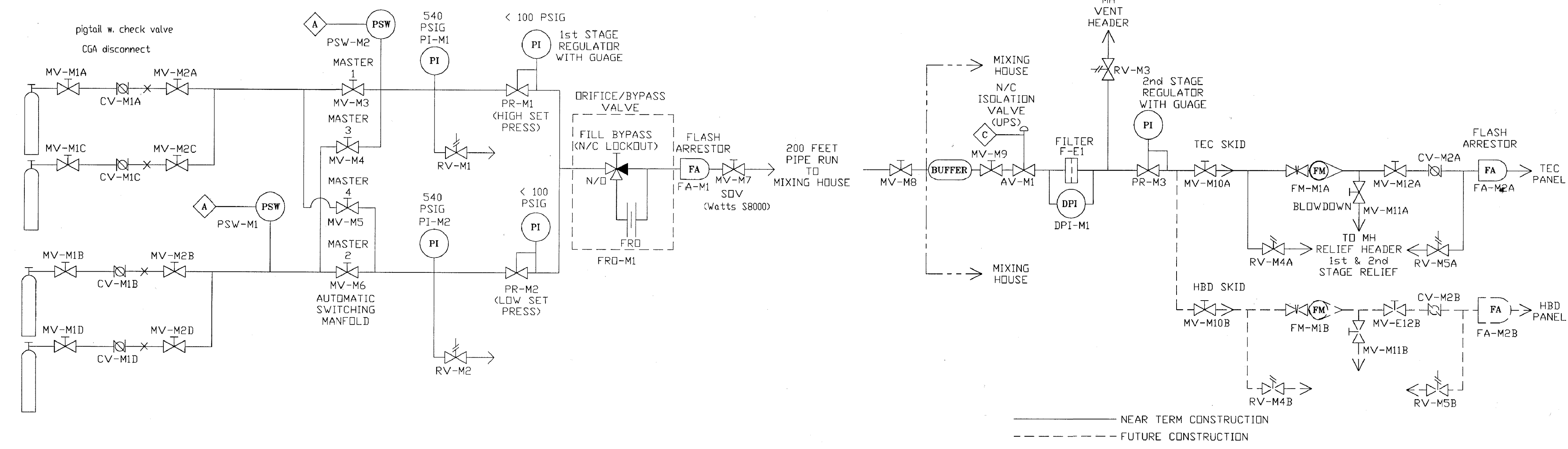


NOTES:

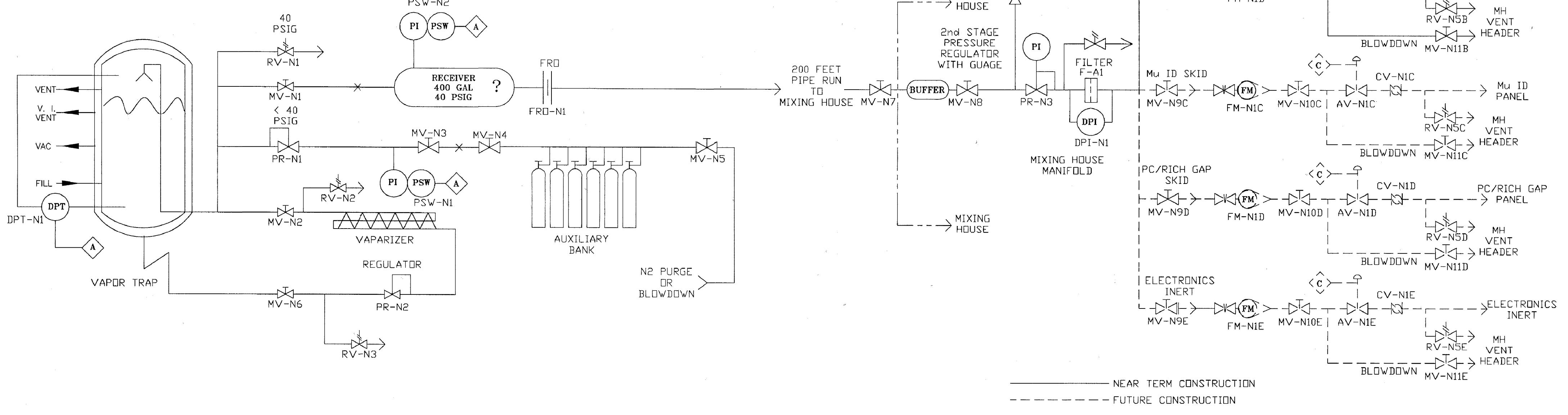
REVISIONS							
REV	ZONE	ECN NO.	DESCRIPTION	BY	DATE	CKR	APP
A			INITIAL RELEASE	L.M.			

METHANE



- FLOW METER
- ANALOG VALVE
- RELIEF VALVE
- MANUAL VALVE
- CHECK VALVE
- PRESSURE REGULATOR
- PRESSURE INDICATOR
- DIFFERENTIAL PRESSURE INDICATOR
- BURST DISK
- FILTER
- PRESSURE TRANSDUCER
- PRESSURE SWITCH

LIQUID NITROGEN



FOR REFERENCE ONLY  
MUST BE FIELD VERIFIED

INTERPRET IN GENERAL ACCORDANCE WITH ASME Y14.24M-1989				COLLIDER-ACCELERATOR DEPARTMENT BROOKHAVEN NATIONAL LABORATORY UPTON, N.Y. 11973		
UNLESS OTHERWISE SPECIFIED		DRAWN BY: <i>L.S. Malen</i> DESIGN APPROVAL: <i>[Signature]</i> CHECKED BY: <i>[Signature]</i> ENGINEER APPROVAL: <i>[Signature]</i> SUPERVISOR APPROVAL: <i>[Signature]</i> Q.A. APPROVAL: <i>[Signature]</i>	TITLE: PHENIX CRYOGENIC & COMPRESSED PURE GAS STORAGE AND SUPPLY P & ID			
DIMENSIONS ARE IN INCHES NA NA ANGULAR TOLERANCE ± NA		USED ON DRAWING NO. QTY. PER ASSY. APPLICATION:	BREAK SHARP EDGES MAX NA MIN NA	SIZE: <b>D</b> Q.A. CATEGORY: A-3	DRAWING NUMBER: RD105-0508-050 SCALE: 1/2 SHEET 2 OF 2	

DWG NO RD105-0508-050 SHIT 2 OF 2