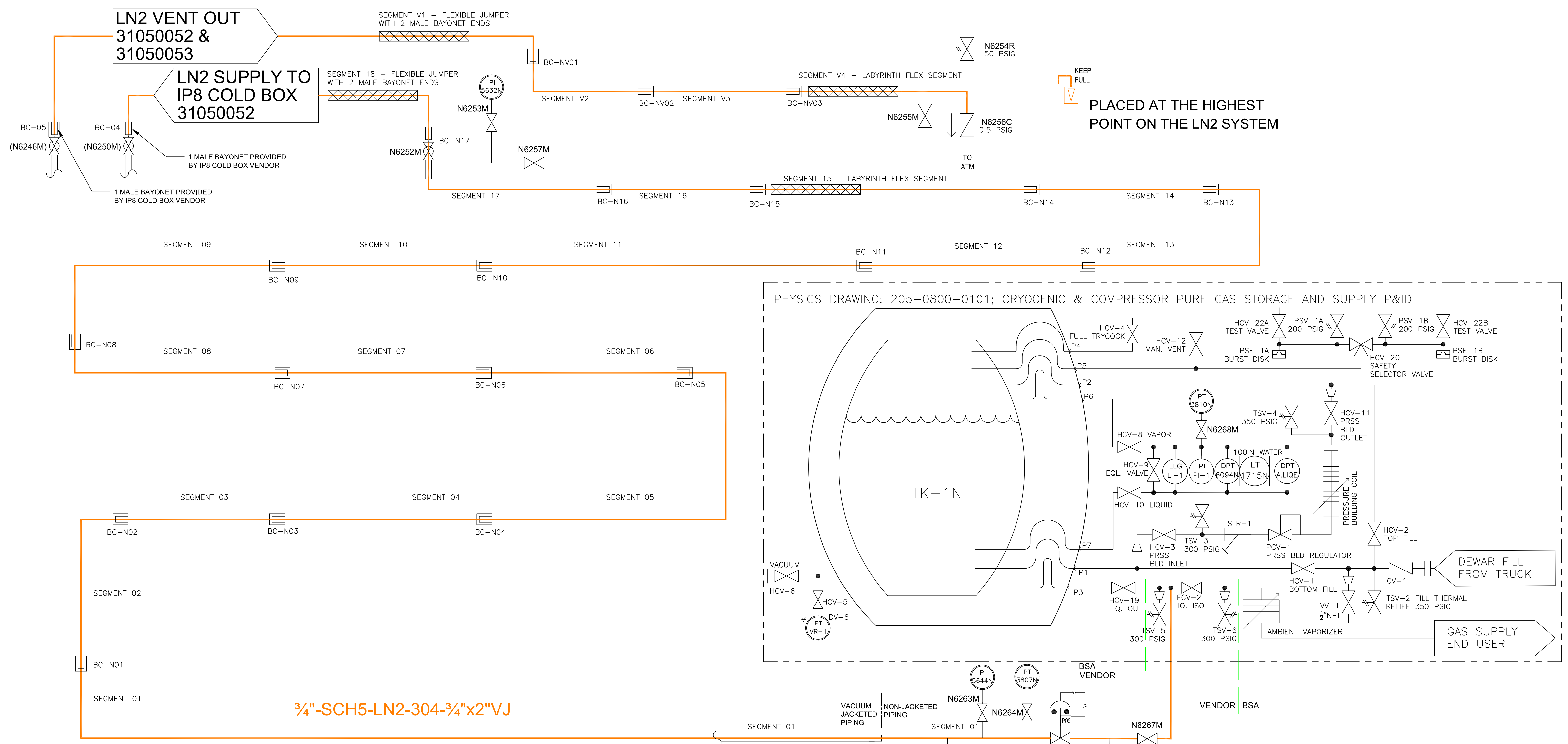


REVISION APPROVALS							
REV	ECN NO.	DESCRIPTION	DATE	BY	CHK	DES	SUPV
A		INITIAL RELEASE					

NOTES:
1. ALL AUTOMATIC VALVES TO HAVE LIMIT SWITCHES

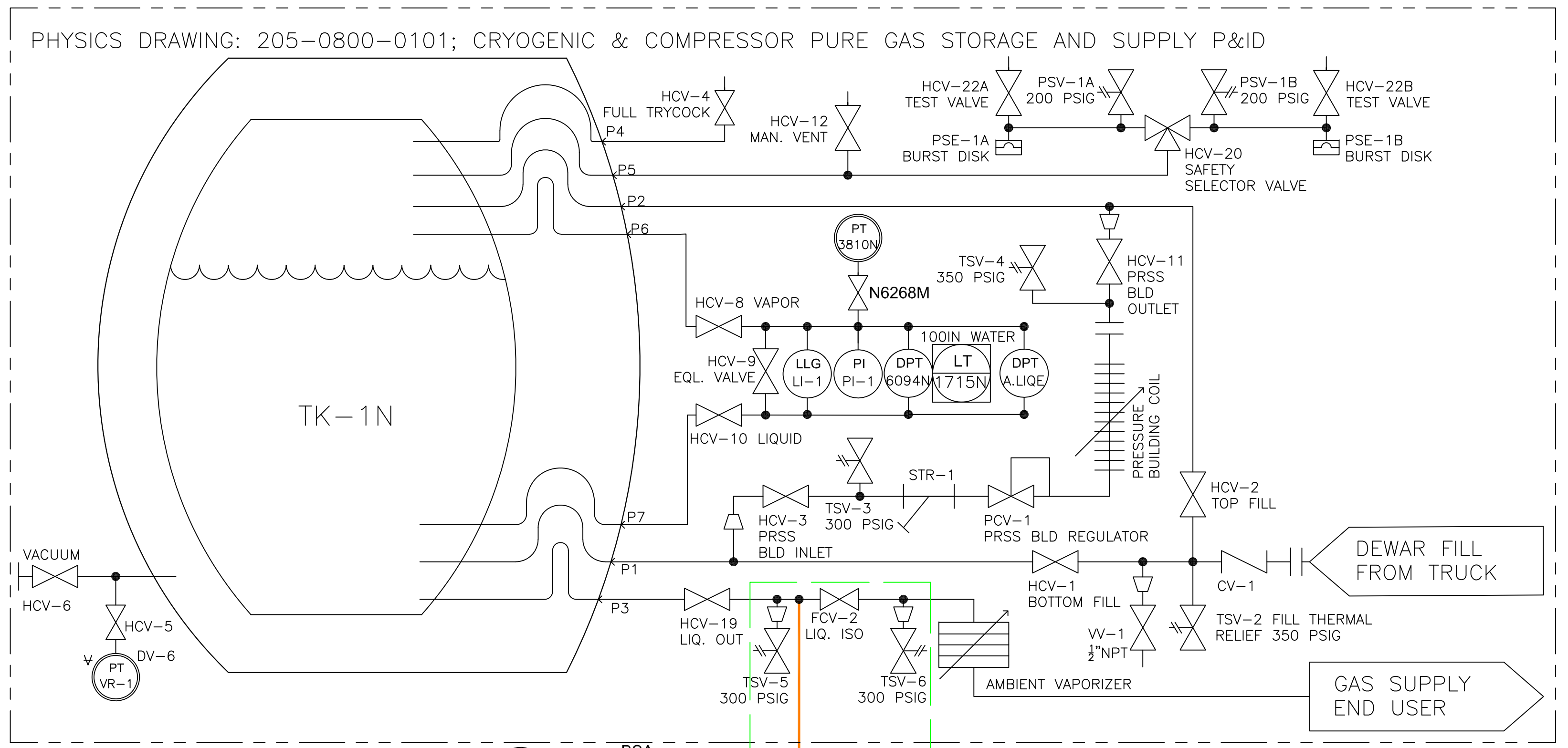


3/4"-SCH5-LN2-304-3/4"x2"VJ

EXISTING PHENIX LN STORAGE DEWAR
 TK-1N
 LIQUID NITROGEN
 ORIENTATION: HORIZONTAL
 MANUFACTURER: LINDE CO.
 Volume: 5200 GALLON.
 MAWP: 231 PSIG @100°F
 MDMT: -423°F@231 PSI
 YEAR: 1965
 SERIAL: 600 VCC-208
 NB #: 6363
 ASME-U
 DIMENSIONS: 8 FT DIA X 20-5 FT

VACUUM JACKETED PROCESS & VENT PIPING
 DESIGN INTERNAL: 150PSI @120°F [10.3 BAR@322K]
 DESIGN EXTERNAL: FULL VACUUM@120°F [FULL VACUUM @322K]
 MDMT: -320°F@150 PSI [78K@10.3 BAR]
 ESTIMATED 600 FT TOTAL RUN LENGTH
 23 SEGMENTS

NON-JACKETED PROCESS PIPING
 DESIGN INTERNAL: 320PSI @120°F [22.1 BAR@322K]
 DESIGN EXTERNAL: FULL VACUUM@120°F [FULL VACUUM @322K]
 MDMT: -320°F@320 PSI [78K@22.1 BAR]



INTERPRET IN GENERAL ACCORDANCE WITH ASME Y14.5			COLLIDER-ACCELERATOR DEPARTMENT BROOKHAVEN NATIONAL LABORATORY UPTON, N.Y. 11973	
UNLESS OTHERWISE SPECIFIED			TITLE: sPHENIX CRYOGENICS LN2 SUPPLY TO IP8 PIPING & INSTRUMENTATION DIAGRAM	
DIMENSIONS ARE IN INCHES DECIMAL TOLERANCES .X ± .030 .XX ± .015 .XXX ± .005 ANGULAR TOLERANCE ± 1°		DRAWN BY: P. ORFIN CHECKED BY: S. RESTMEYER DESIGN APPROVAL: A. ARNO ENG/PHY APPROVAL: P. ORFIN GROUP LEADER: R. THAN CEE/CME: [] DIVISION HEAD: [] Q.A.: [] SAFETY/RSC DEPARTMENT CHAIRMAN: []	DATE: 5/9/19 7/15/20 7/15/20 7/15/20 7/15/20	
USED ON DRAWING NO.	QTY. PER ASS'Y.	125	BREAK SHARP EDGES MAX. .03 MIN. .015	SIZE: D CATEGORY: A3 SCALE: [] WEIGHT: [] SHEET: 1 OF 1
APPLICATION				DRAWING NUMBER: 31050056 REV. A

DWG NO 31050056 SH 1 OF 1