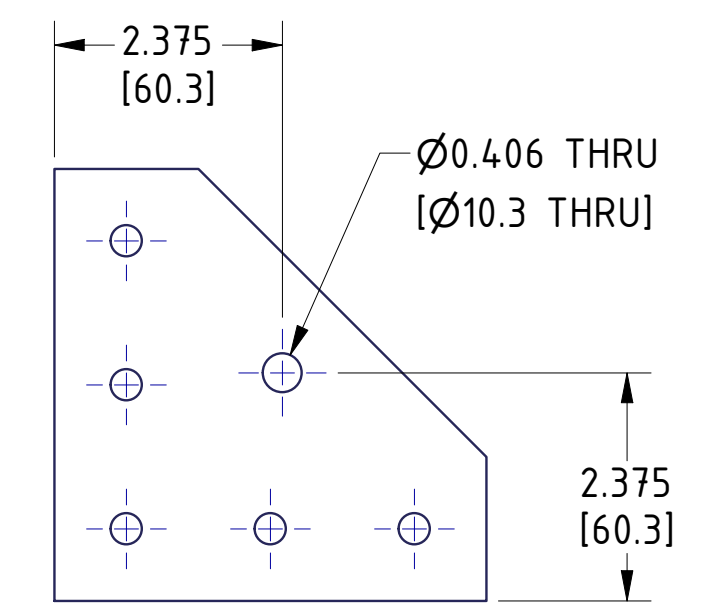
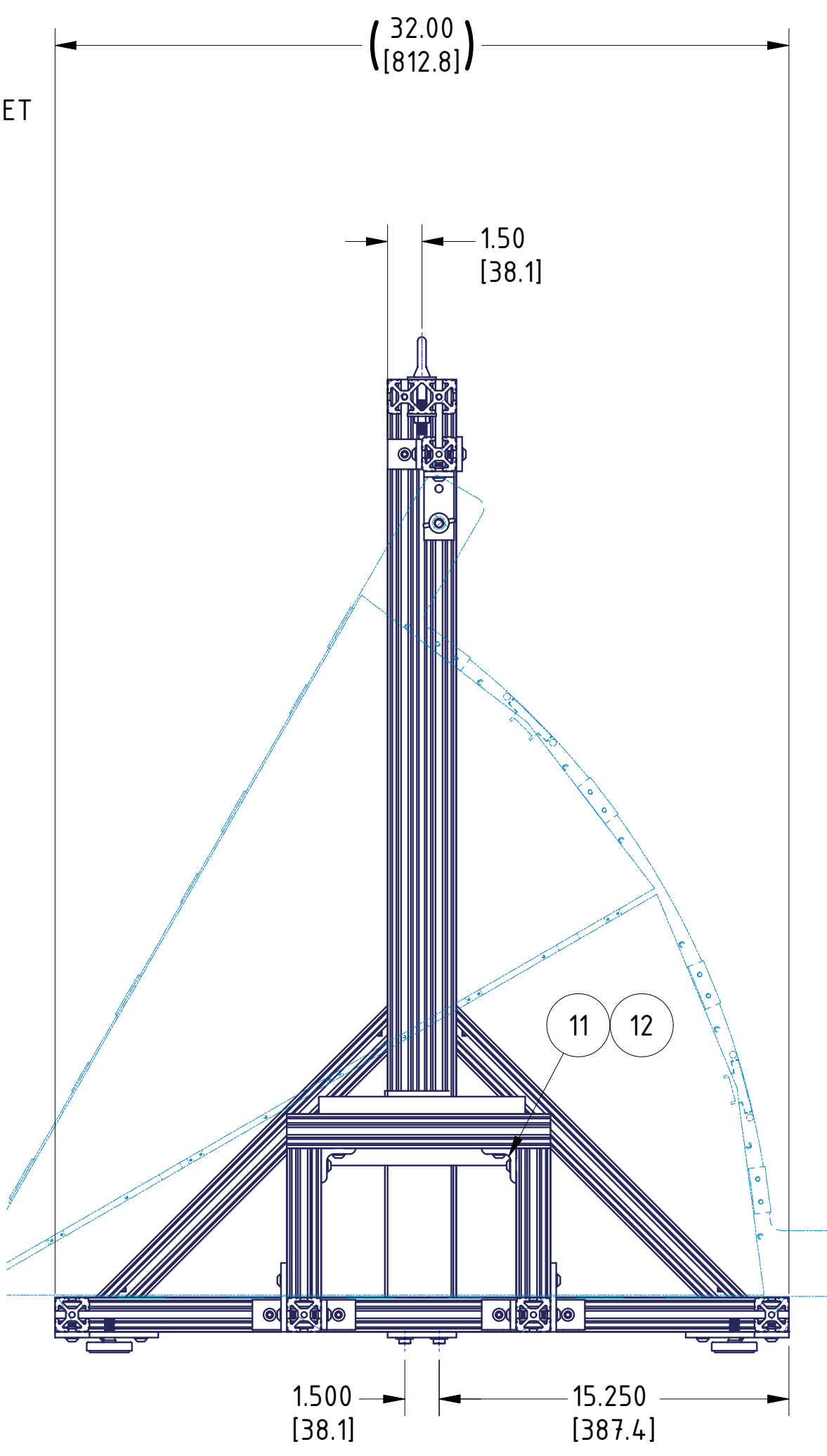
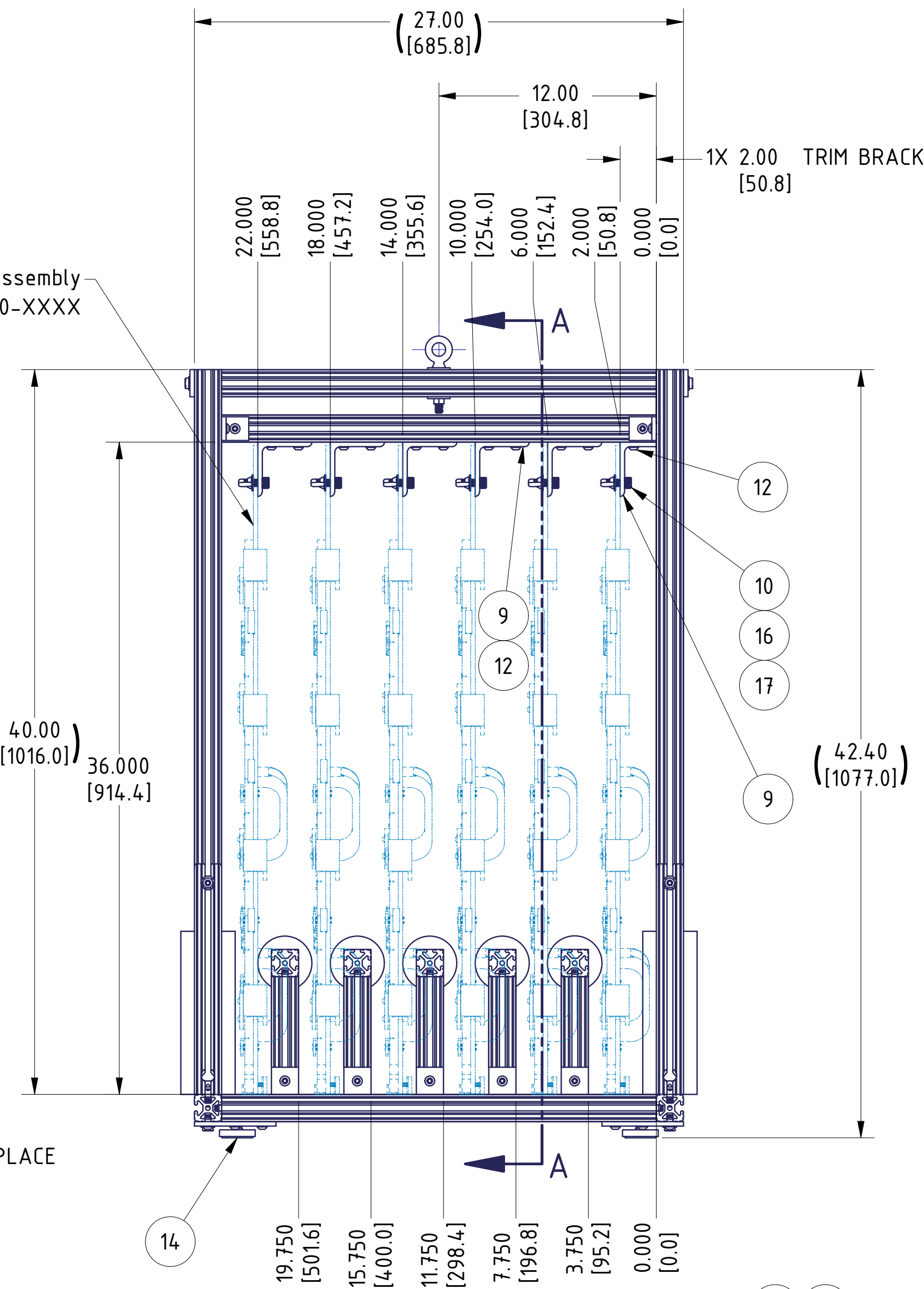
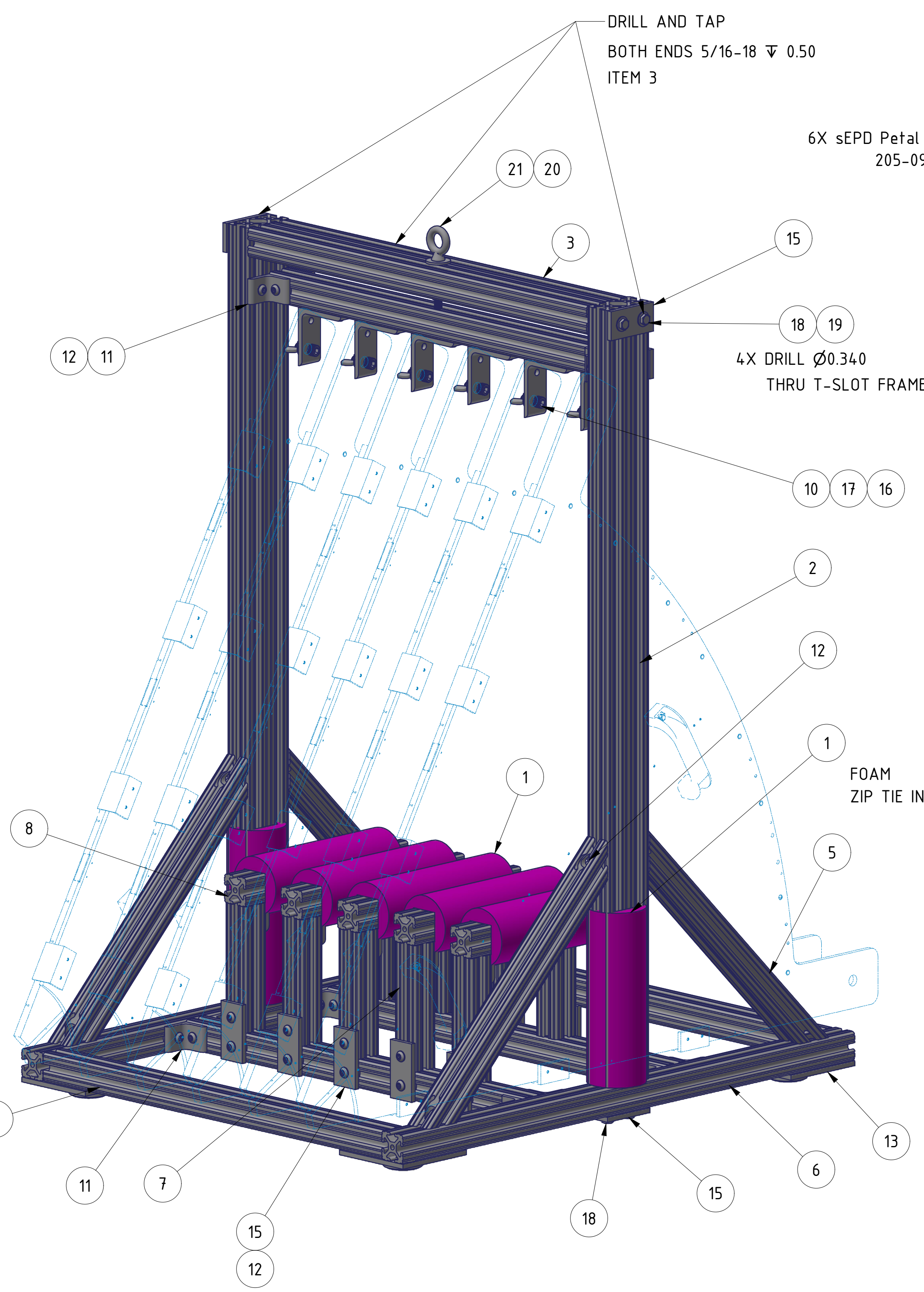
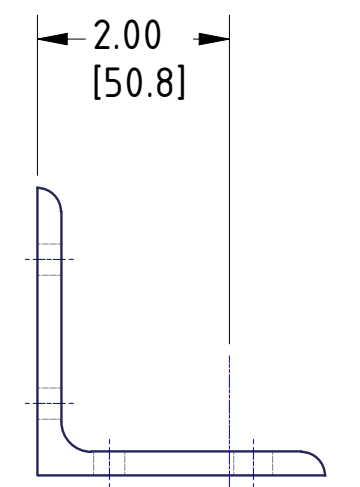


| REVISION HISTORY |            |      |             |      |          |
|------------------|------------|------|-------------|------|----------|
| REV              | ECN NUMBER | ZONE | DESCRIPTION | DATE | APPROVED |
|                  |            |      |             |      |          |



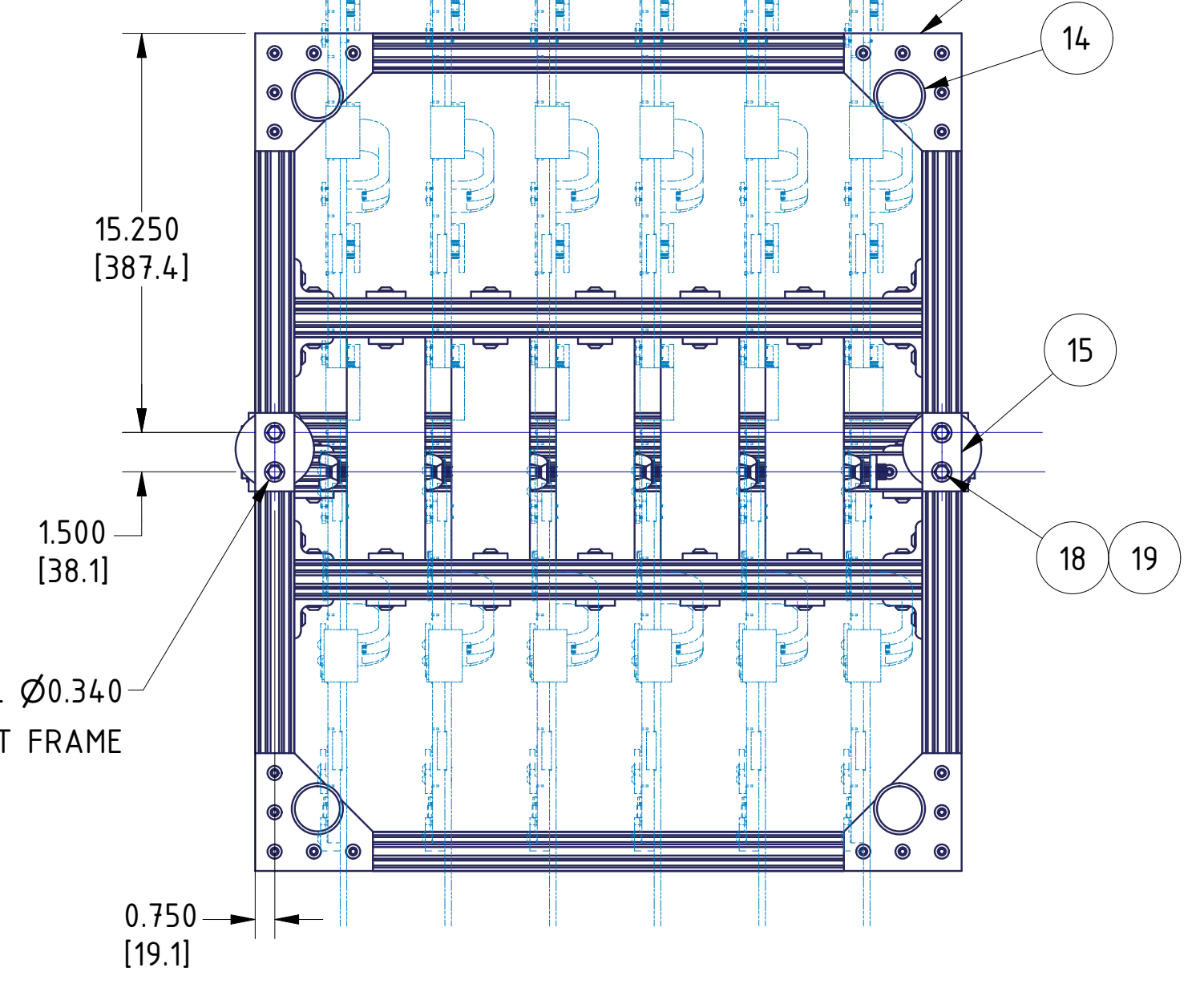
4X DRILL HOLE IN PLATE  
ITEM 13



1X CUT ANGLE BRACKET  
ITEM 12

CHECKING PRINT  
3/15/2023

SECTION A-A  
SCALE 0.17



4X DRILL Ø0.340  
THRU T-SLOT FRAME

| QTY | ITEM | PART NUMBER                                | DESCRIPTION   |
|-----|------|--|---|
| 1   | 21   | McMaster-Carr #3018T16 or Equiv.           | Galvanized Steel Eyebolt with Nut and with Shoulder |
| 2   | 20   | McMaster-Carr #92217A529 or Equiv.         | 3/8" Oversize Washer                                |
| 8   | 19   | McMaster-Carr #92141A030 or Equiv.         | 18-8 Stainless Steel Washer                         |
| 8   | 18   | McMaster-Carr #92198A691 or Equiv.         | 18-8 Stainless Steel Hex Head Screw                 |
| 6   | 17   | McMaster-Carr #90866A140 or Equiv.         | Zinc-Plated Steel Wing Nut 3/8-16                   |
| 6   | 16   | McMaster-Carr #92141A030r Equiv.           | 18-8 Stainless Steel Washer 3/8                     |
| 16  | 15   | McMaster-Carr #47065T256 or Equiv.         | T-Slotted Framing Silver Flat Bracket               |
| 4   | 14   | McMaster-Carr #83685T13 or Equiv.          | Corrosion-Resistant Swivel Leveling Mount           |
| 4   | 13   | McMaster-Carr #47065T271 or Equiv.         | T-Slotted Framing Silver Flat Corner Bracket        |
| 104 | 12   | McMaster-Carr #47065T215 or Equiv.         | T-Slotted Framing                                   |
| 20  | 11   | McMaster-Carr #47065T845 or Equiv.         | Silver Corner Bracket                               |
| 6   | 10   | McMaster-Carr #92196A624 or Equiv.         | 18-8 Stainless Steel Socket Head Screw              |
| 6   | 9    | McMaster-Carr #47065T241 or Equiv.         | Silver Corner Bracket                               |
| 5   | 8    | McMaster-Carr #47065T127 or Equiv. (4.8in) | T-Slotted Framing - 11.5in                          |
| 10  | 7    | McMaster-Carr #47065T127 or Equiv. (4.8in) | T-Slotted Framing - 6.5in                           |
| 2   | 6    | McMaster-Carr #47065T127 or Equiv. (4.8in) | T-Slotted Framing - 32in                            |
| 4   | 5    | McMaster-Carr #47065T702 or Equiv.         | T-Slotted Framing 18in x 45deg                      |
| 5   | 4    | McMaster-Carr #47065T127 or Equiv. (4.8in) | T-Slotted Framing - 24in                            |
| 1   | 3    | McMaster-Carr #47065T137 or Equiv. (4.8in) | T-Slotted Framing - 24in 1.5 x 3.0                  |
| 2   | 2    | McMaster-Carr #47065T137 or Equiv. (4.8in) | T-Slotted Framing - 40in 1.5 x 3.0                  |
| 7   | 1    |  | Foam Bumper   |

BILL OF MATERIALS

|   |   |   |  |
|---|---|---|--|
| <p>THIRD ANGLE PROJECTION<br/>INTERPRET IN GENERAL ACCORDANCE WITH ASME Y14.5-2009 UNLESS OTHERWISE SPECIFIED. ALL DIMENSIONS ARE IN INCHES (IN).<br/>DECIMAL TOLERANCES:<br/>XXX ± 0.05<br/>XXXX ± 0.01<br/>XXXXX ± 0.005<br/>ANGLES ± 0.5</p> |   | <p>BROOKHAVEN NATIONAL LABORATORY<br/>BROOKHAVEN SCIENCE ASSOCIATES<br/>UPTON, NY 11973</p>   |  |
|   |   | <p>PROJECT: sEPD<br/>DESCRIPTION: Petal Carrier</p>   | <p>SIZE: D<br/>DRAWING NUMBER: 205-0960-0030<br/>REV: A</p>        |
| <p>OUTSTANDING ECN NUMBERS</p>  | <p>250 / FINISH: BREAK EDGES: MAX. ± 0.05, MIN. ± 0.005</p> | <p>DESIGNED BY: [ ]<br/>CHECKED BY: [ ]<br/>ENGINEER APPROVAL: [ ]<br/>SUPERVISOR APPROVAL: [ ]<br/>DESIGN APPROVAL: [ ]<br/>S.A. APPROVAL: [ ]</p> | <p>DATE: [ ]<br/>SCALE: 0.17<br/>WEIGHT: N/A<br/>SHEET: 1 OF 1</p> |