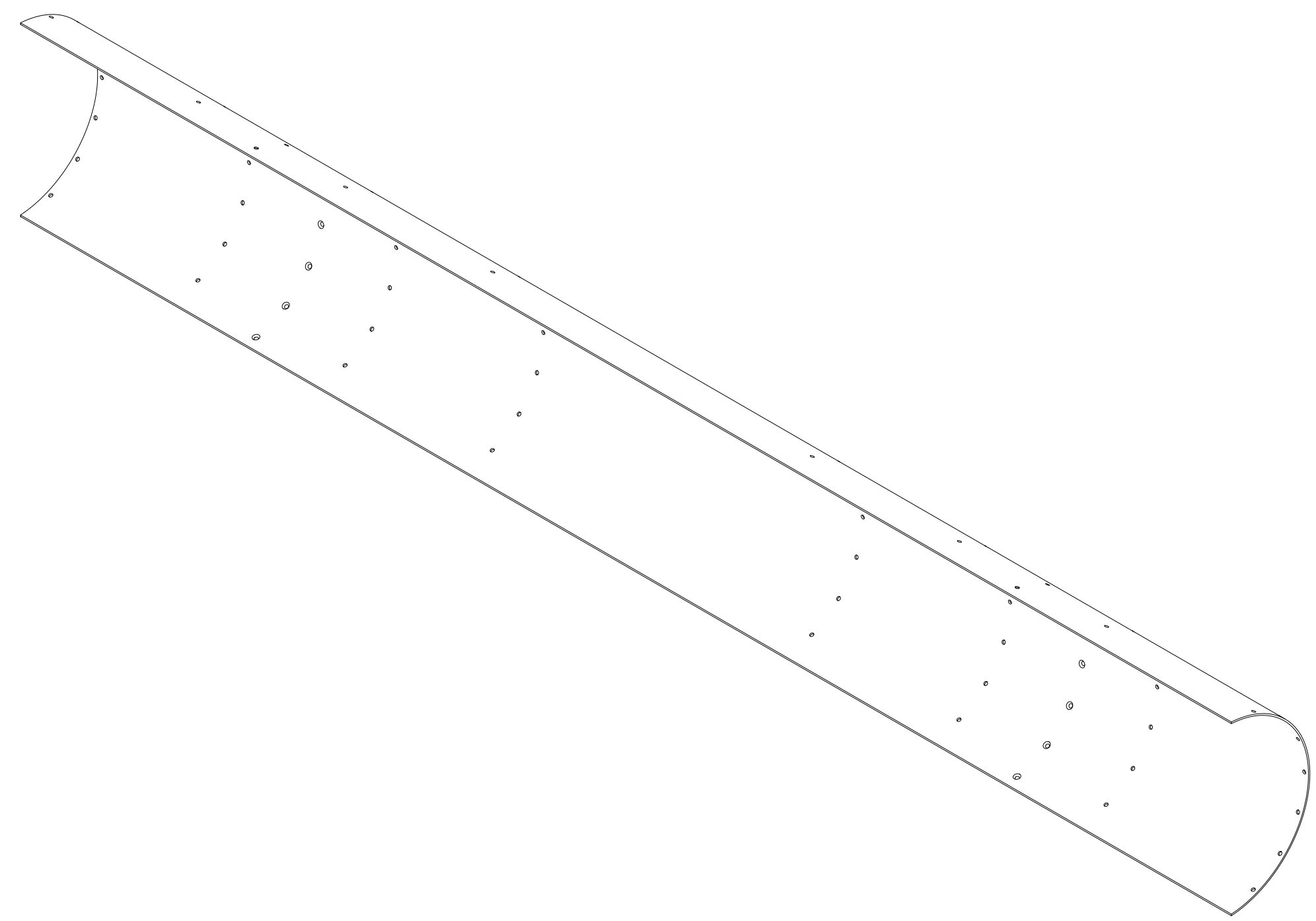
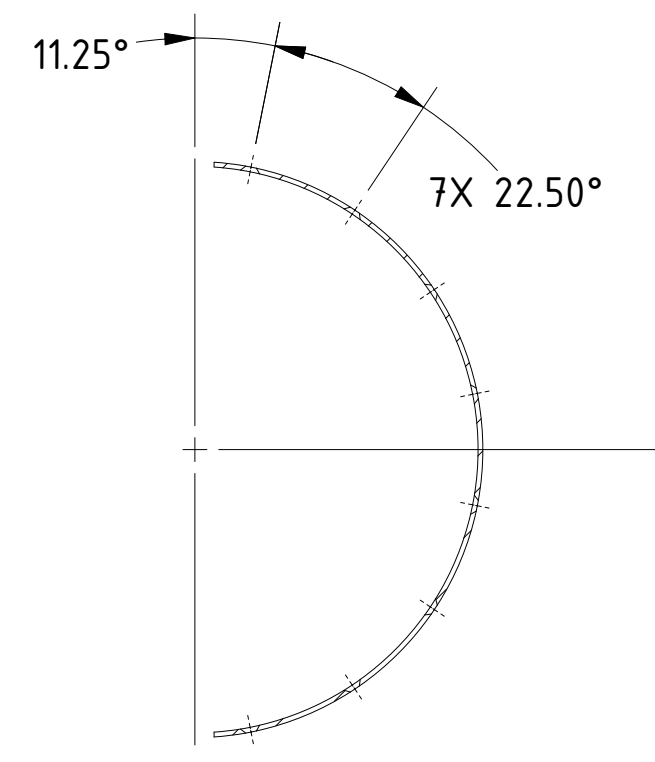
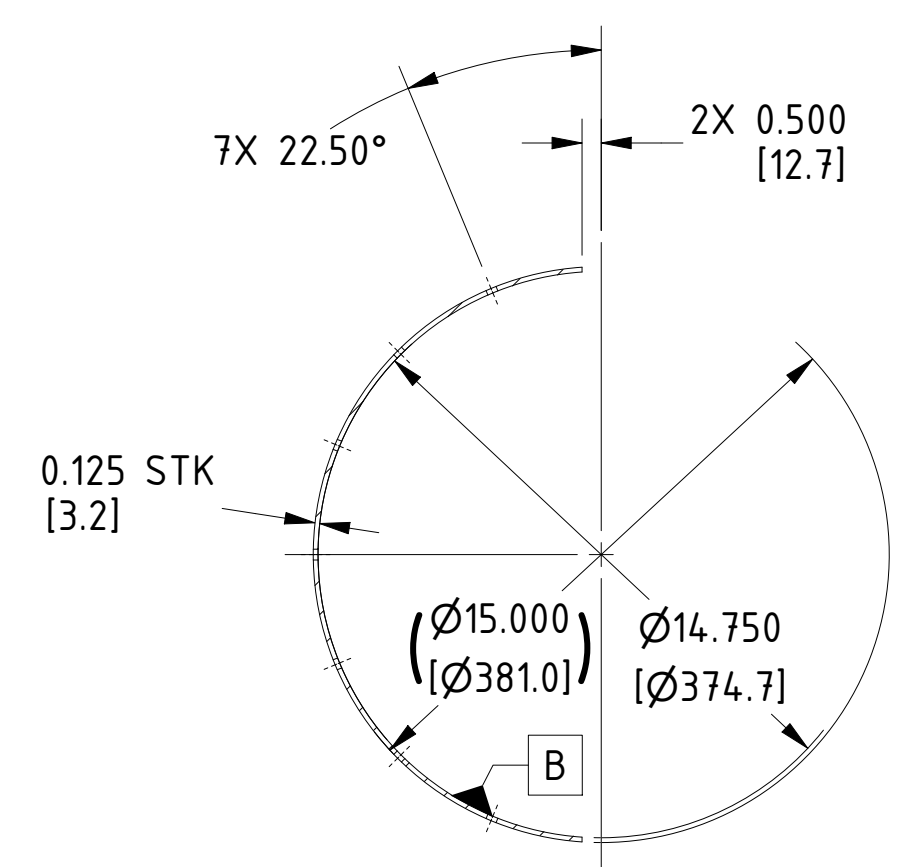
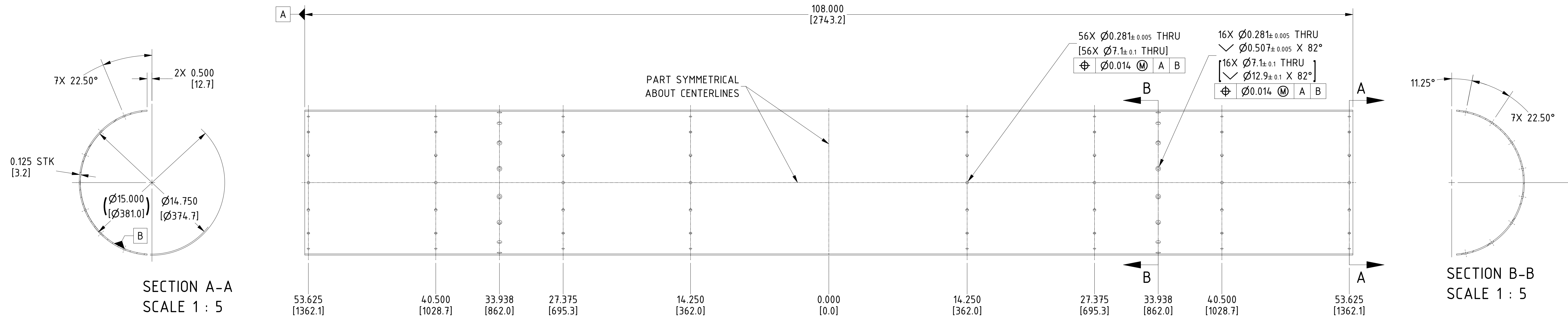


NOTES:

1. MATERIAL: Aluminum 5052 H32
2. UNTOLERANCED DIMENSIONS ARE BASIC $\frac{\text{A}}{\text{B}}$ 0.063 A B
3. DIMENSIONS & TOLERANCES IN BRACKETS ARE FOR REFERENCE ONLY.
4. DRAWING MAY BE USED WITH MODEL "205-0310-0214 - REV A - INTT - Installation Pipe.stp"
- VALUES QUERIED FROM 3-D DIGITAL DATA ARE BASIC.
5. REMOVE ALL BURRS AND SHARP EDGES.
6. FINISHED ARTICLE SHALL BE FREE OF OILS, LUBRICANTS AND OTHER CONTAMINANTS.

REVISION HISTORY					
REV	ECN NUMBER	ZONE	DESCRIPTION	DATE	APPROVED
A				2/8/2022	rfeder



				BROOKHAVEN NATIONAL LABORATORY BROOKHAVEN SCIENCE ASSOCIATES UPTON, NY 11973	
INTERPRET IN GENERAL ACCORDANCE WITH ASME Y14.5-2009 UNLESS OTHERWISE SPECIFIED: ALL DIMENSIONS ARE IN INCHES (mm)		DRAWN BY: G. KACALE 1/19/2022		PROJECT: INTT	
DEPRAL TOLERANCES: XXX ± 0 X.XXX ± 0 ANGLES ± 0		CHECKED BY: J. SCHERLEN 1/19/2022		DESCRIPTION: Installation Pipe	
FINISH: 125/		SUPERVISOR APPROVAL: J. PELLE 1/19/2022		SIZE: DRAWING NUMBER: 205-0310-0214	
BREAK EDGES: PKN. 0.005 MAX. 0.015		DESIGN APPROVAL: H. ROEMER 1/19/2022		Q.A. CAT.: A3 SCALE: 1 : 5 WEIGHT: 29 lbmass SHEET: 1 OF 1	
OUTSTANDING ECN NUMBERS:		S.A. APPROVAL: H. ROEMER 1/19/2022		REV: A	
		SAFETY ENGINEER: L. STRESLER 1/19/2022			