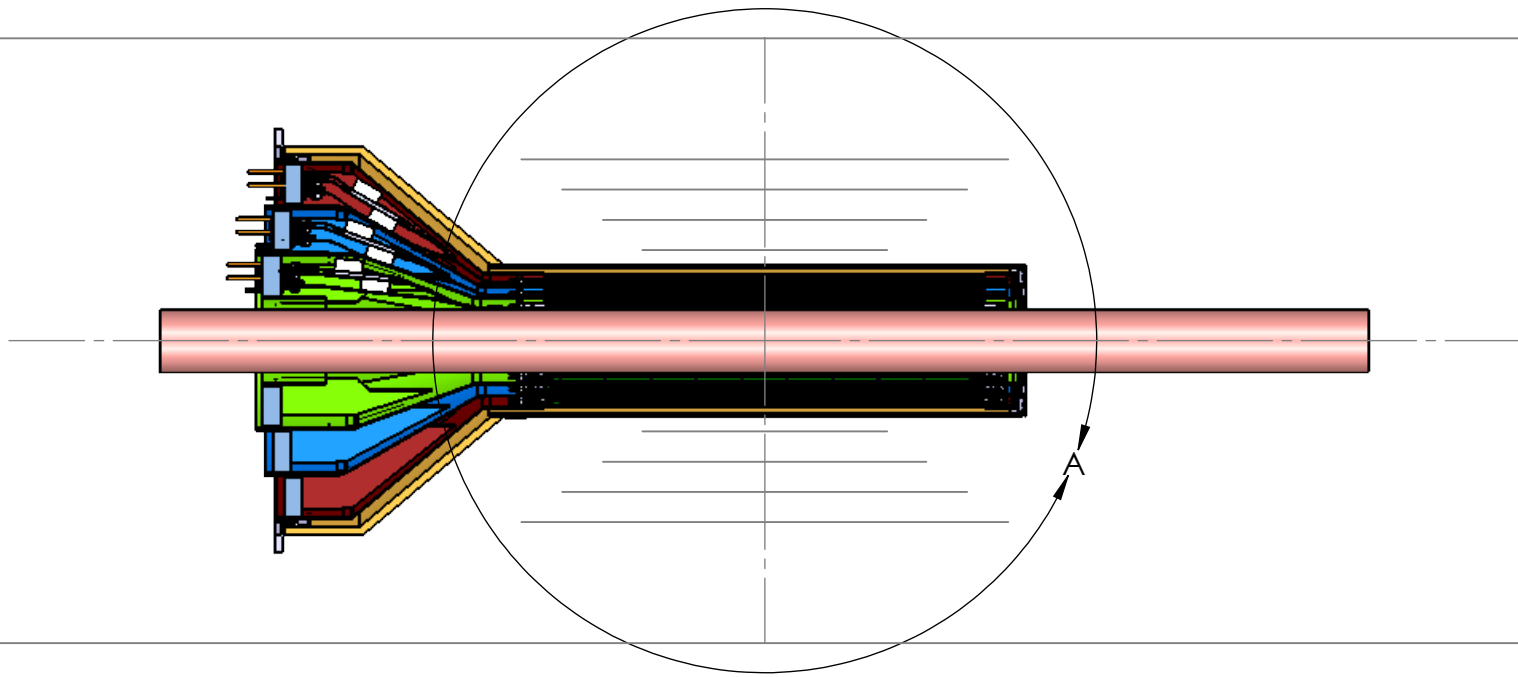


8 7 6 5 4 3 2 1

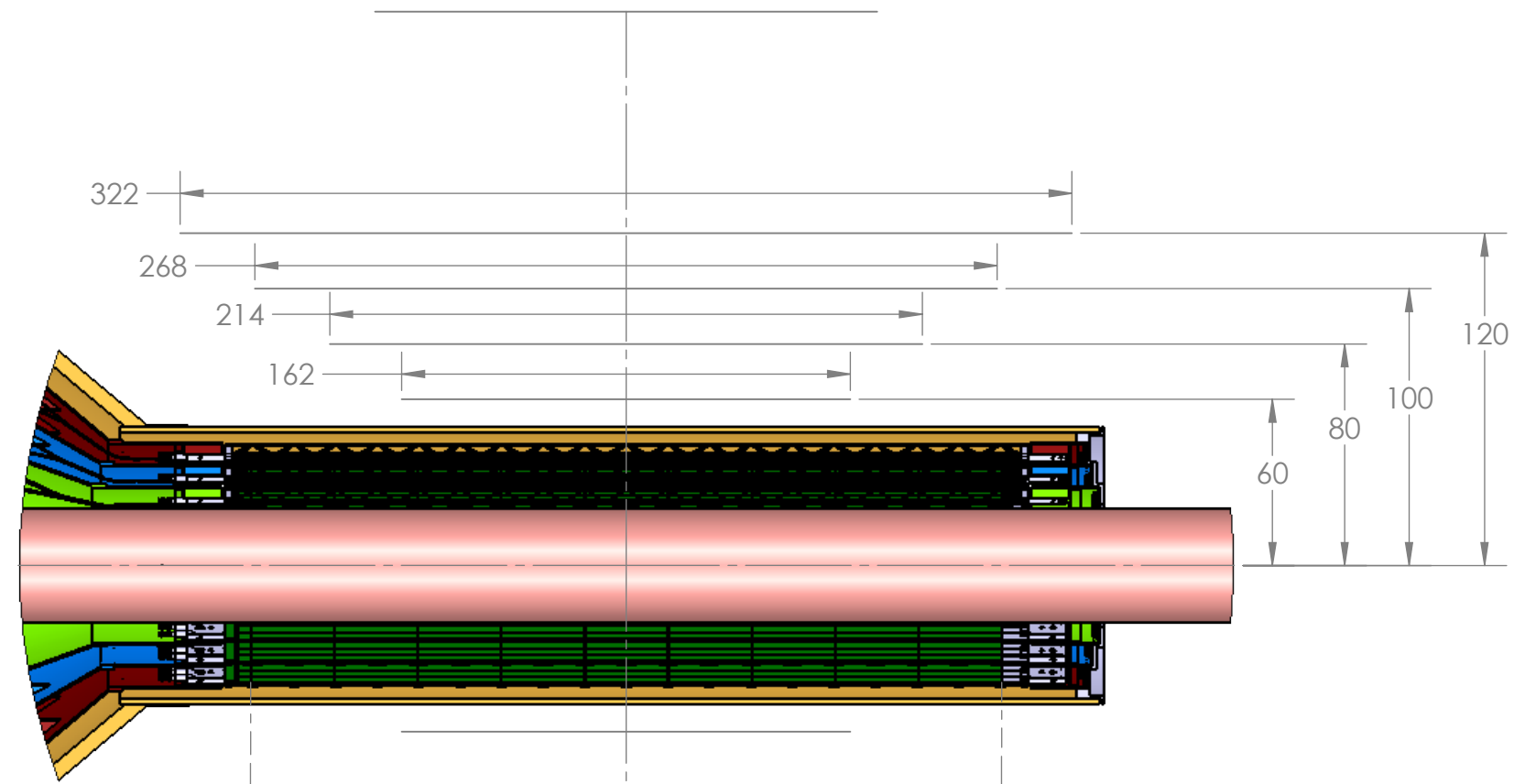
D

D



C

C



B

B

A


A

135.60  
Z LENGTH 4.5 MAPS CHIPS

135.60

DETAIL A  
SCALE 2 : 5

ALL DIMENSIONS IN MILLIMETERS

<b>P-25</b> SUBATOMIC PHYSICS		DIMENSIONS ARE IN INCHES TOLERANCES UNLESS SPECIFIED: FRACTIONAL ± ANGULAR: MACH ± BEND ± TWO PLACE DECIMAL ± 0.01 THREE PLACE DECIMAL ± 0.003		NAME	DATE	ITC + ITTN + TPC Frawley
 LOS ALAMOS NATIONAL LABORATORY LOS ALAMOS, NM, 87545		MATERIAL	mixed	DRAWN	WALT 9/7/2016	
		FINISH		CHECKED		
QUANTITY REQUIRED	1	ENG APPR.		ENG APPR.		
		Q.A.		Q.A.		
		COMMENTS:				
SIZE	DWG. NO.			REV.		
<b>B</b>						
SCALE: 1:10	WEIGHT:			SHEET 1 OF 1		

8 7 6 5 4 3 2 1