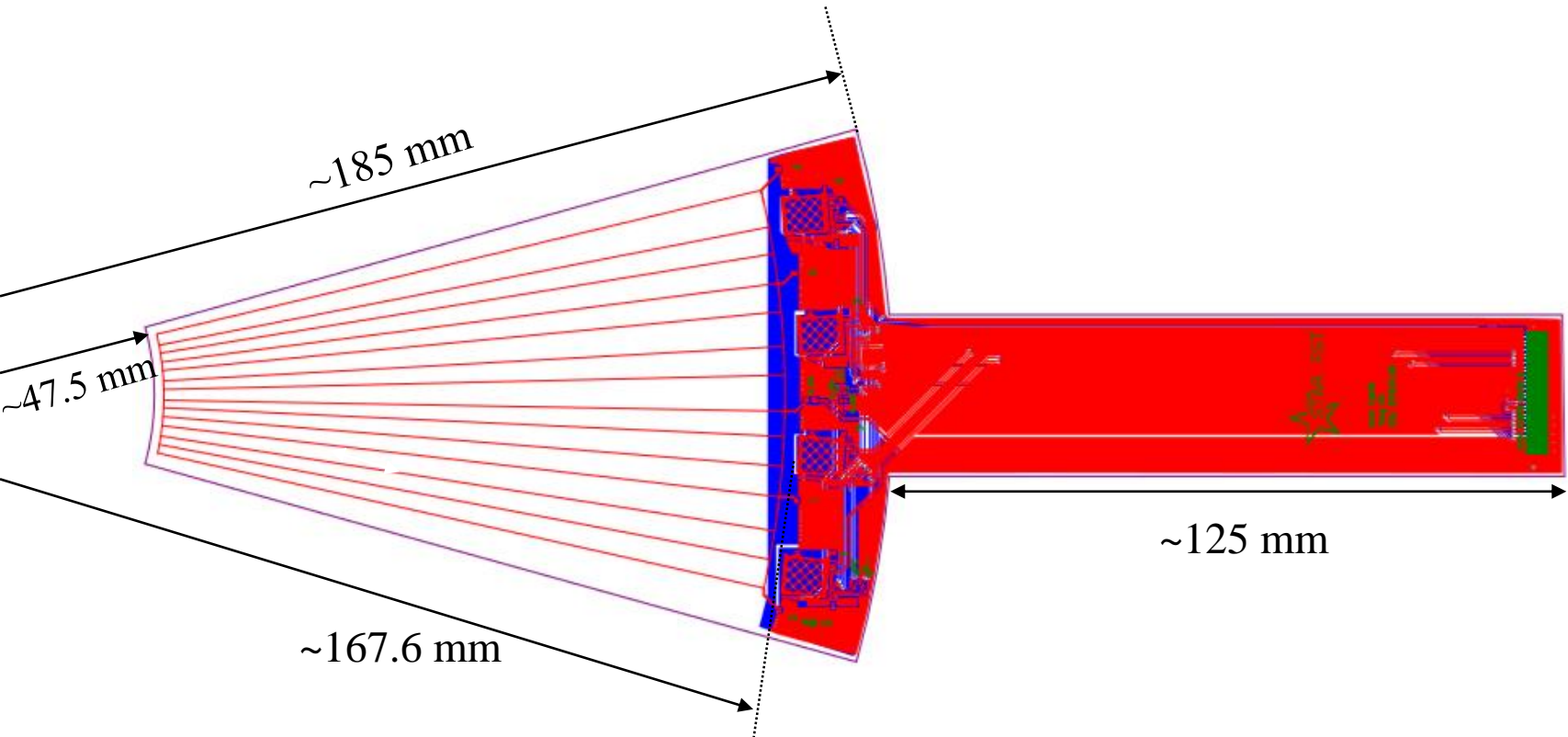


Hybrid & T-board Dimension Update

Jianing DONG & Li YI

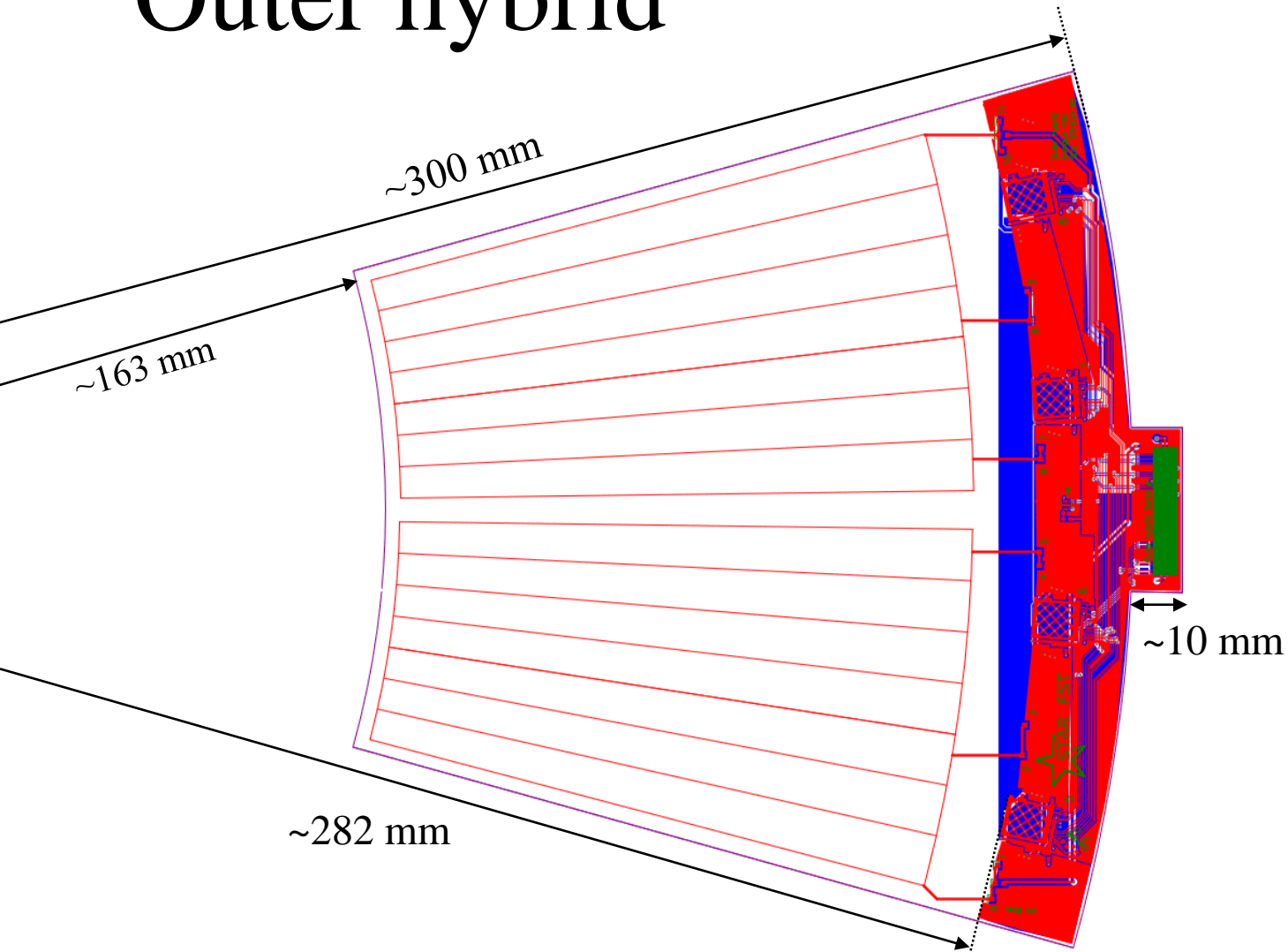
2019.01.31

Inner hybrid



- ◆ The distance between APV25 chips and sensor readout pads is ~ 2 mm.

Outer hybrid



- ◆ The distance between APV25 chips and sensor readout pads is ~ 2 mm.

T-Board

